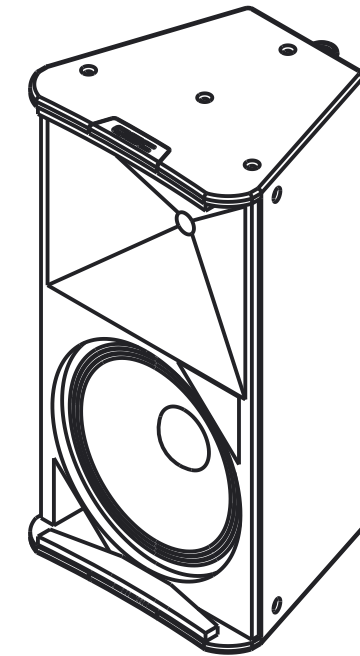
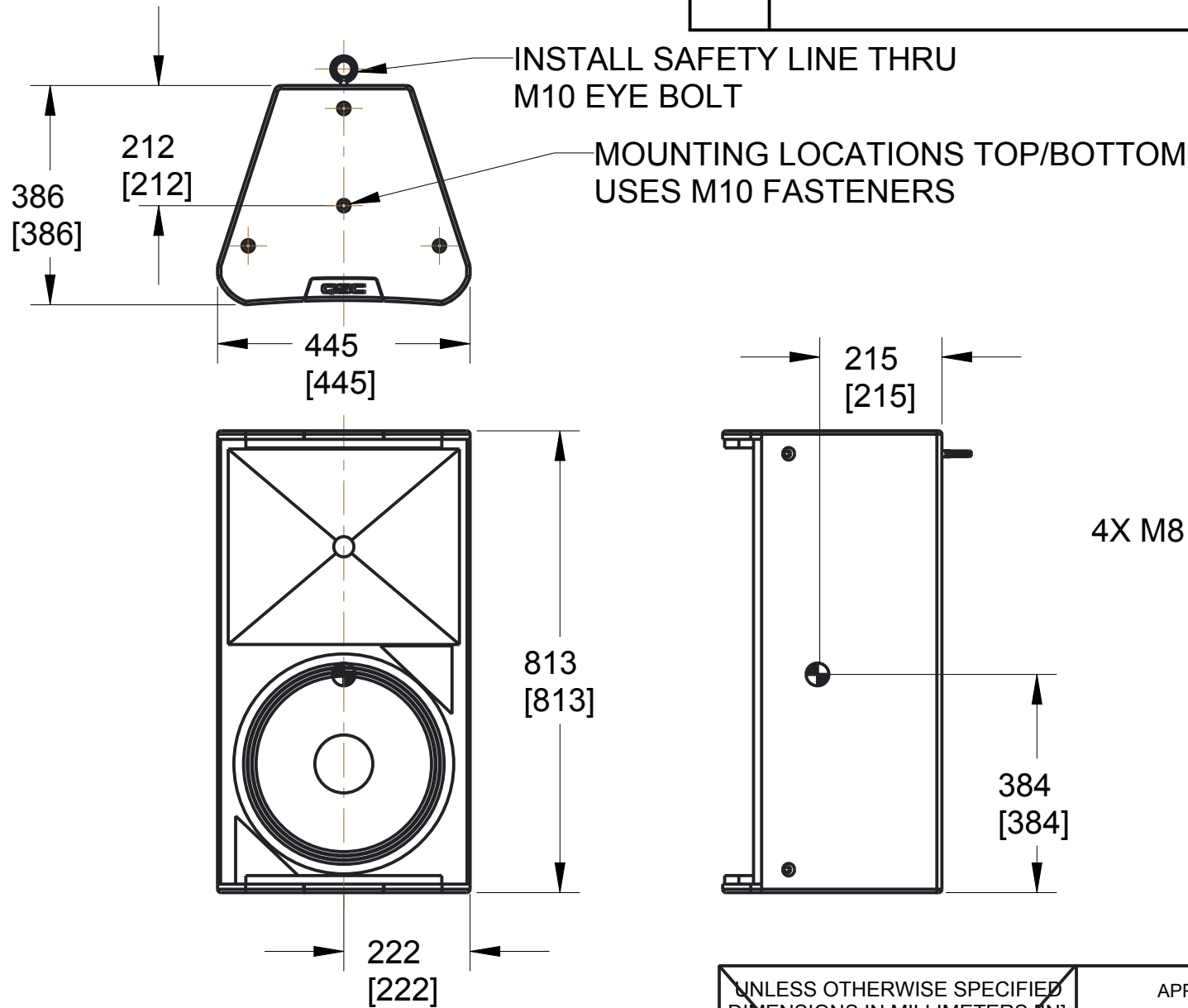
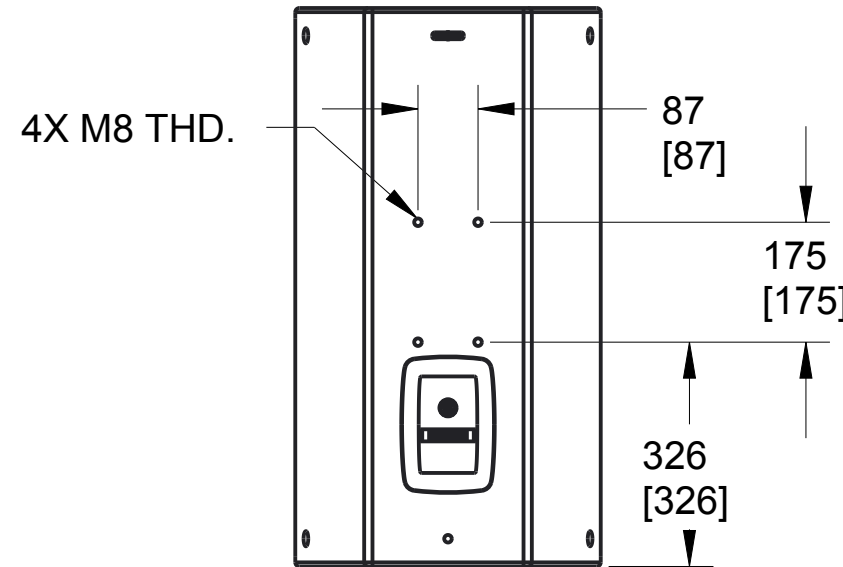


THIS DOCUMENT CONTAINS PROPRIETARY INFORMATION WHICH IS THE PROPERTY OF QSC AUDIO PRODUCTS, THAT MAY NOT BE DISCLOSED, REPRODUCED OR USED WITHOUT EXPRESS WRITTEN CONSENT FROM QSC AUDIO PRODUCTS.

REVISIONS			
REV	DESCRIPTION	BY	DATE
A	RELEASE FOR SALES AND MARKETING	SS	17-MAR-15



SR-5152



5. PARTS ARE SYMMETRICAL ABOUT CENTER LINES UNLESS OTHERWISE NOTED.
  4. SYMBOL INDICATES CENTER OF BALANCE.
  3. SYMBOL INDICATES SUSPENSION POINT, 14 TOTAL: M10-1.5 THD.
  2. TOLERANCES (MM):  $X \pm 5$ , ANGLES:  $\pm 1^\circ$ .
  1. NET WEIGHT APPROX. 36.3 KG (80 LBS)
- NOTE: UNLESS OTHERWISE SPECIFIED

<p>UNLESS OTHERWISE SPECIFIED DIMENSIONS IN MILLIMETERS [IN]</p> <p>TOLERANCES ARE:</p> <p>DECIMALS    DECIMALS    ANGLES</p> <p>.X<math>\pm</math>.5[.02]    .XX<math>\pm</math>.25[.010]    <math>\pm 1/2</math></p> <p>DEBURR EDGES .25 [.010] R MAX</p> <p>MATERIAL</p> <p>FINISH</p>	APPROVALS	DATE (DD-MMM-YY)
	DRAWN	
	CHECKED	
	MFG ENG	
	QA CHECK	
	DRAWING INFO: FG-005152-2D.1.2	SIZE: B
	MODEL INFO: FG-005152-3D.1.0	CAGE CODE: 00PW4

**QSC** QSC AUDIO PRODUCTS, LLC  
1675 MACARTHUR BOULEVARD  
COSTA MESA, CA 92626

**SPEAKER, FINISHED, SR-5152**

SIZE	CAGE CODE	DRAWING NO.	REV
B	00PW4	FG-005152-2D	A
SCALE:	0.091	DO NOT SCALE DRAWING	SHEET 1 OF 1