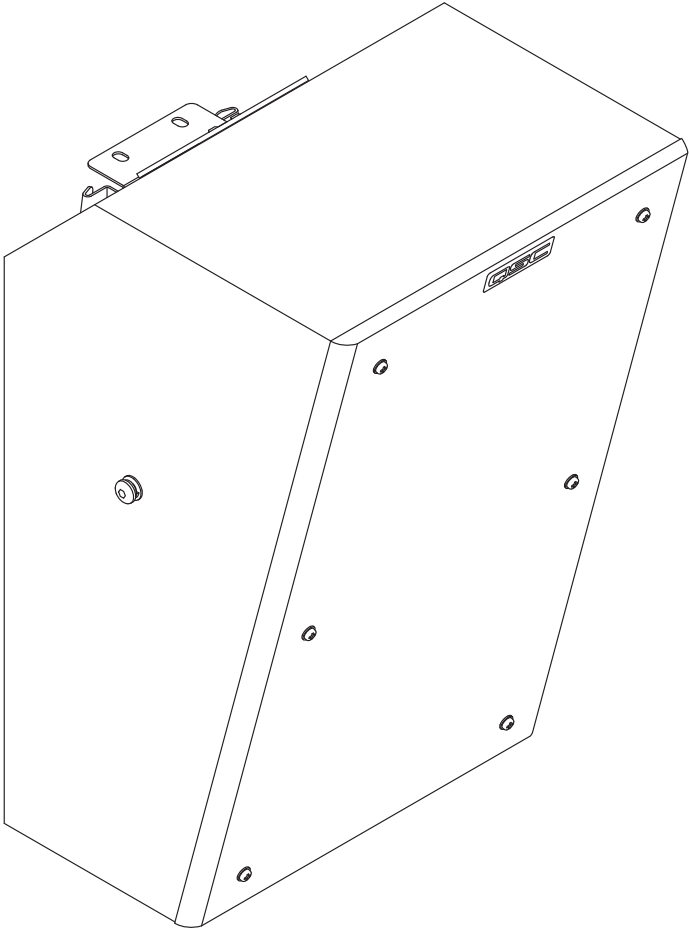


SR-1000

User Manual



SR-1000 Surround Loudspeaker



TD-001575-01-A



EXPLANATION OF SYMBOLS

The term "**WARNING!**" indicates instructions regarding personal safety. If the instructions are not followed the result may be bodily injury or death.

The term "**CAUTION!**" indicates instructions regarding possible damage to physical equipment. If these instructions are not followed, it may result in damage to the equipment that may not be covered under the warranty.

The term "**IMPORTANT!**" indicates instructions or information that are vital to the successful completion of the procedure.

The term "**NOTE**" is used to indicate additional useful information.



The intent of the exclamation point within an equilateral triangle is to alert the user to the presence of important safety, and operating and maintenance instructions in this manual.



IMPORTANT SAFETY INSTRUCTIONS



1. Keep these instructions.
2. Heed all warnings.
3. Follow all instructions.
4. Do not use this apparatus near water.
5. Clean only with a dry cloth.
6. Do not block any ventilation opening. Install in accordance with the manufacturer's instructions.
7. Do not install near any heat sources such as radiators, heat registers, stoves, or other apparatus (including amplifiers) that produce heat.
8. Only use attachments/accessories specified by the manufacturer.
9. Refer all servicing to qualified service personnel. Servicing is required when the apparatus has been damaged in any way, such as liquid has been spilled or objects have fallen into the apparatus, the apparatus has been exposed to rain or moisture, does not operate normally, or has been dropped.
10. Adhere to all applicable, local codes.
11. Always keep sound pressure levels in the listening area below levels that can damage human hearing.

Warranty

For a copy of the QSC Limited Warranty, visit the QSC website at www.qsc.com

Introduction

The SR-1000 is a compact cinema surround loudspeaker providing high performance for smaller cinemas.

The SR-1000 is designed for safe and secure mounting:

- Pre-installed hardware allows fast, single-installer, wall mounting with optional wall brackets supporting down-angles of 0° or 8°.
- A traditional U-bracket (yoke) (YM-300) is also available.
- The rear panel of the cabinet has four M6 threaded insert mounting points that accommodate the standard bolt pattern for most third-party bracket manufacturers.

Contents

Part	Quantity
SR-1000 Loudspeaker	1
SR-1000 User Manual TD-001575	1
Warranty Document TD-000453	1

Installing the SR-1000



WARNING!: Read and follow these instructions carefully. If the loudspeakers are not suspended properly, they could fall, causing personal injury and damage to the equipment.

Rules for Suspension

1. Consult a Professional Mechanical or Structural Engineer, licensed in the jurisdiction of the sound system installation, to review, verify, and approve all attachments to the building or structure.
2. Employ the services of a Professional Rigger for hoisting, positioning, and attaching the equipment to the supporting structure.
3. Correct use of all suspension hardware and components is imperative in sound system suspension and deployment.
4. Always calculate suspended loads before lifting to make sure suspension components and hardware are used within their respective load limits.
5. Consult local codes and regulations to fully understand the requirements for suspended loads in the venue in which you will suspend the equipment.
6. Use only the recommended brackets with the installation points.
7. Be absolutely certain of the integrity of any structural member intended to support suspended loads. Hidden structural members can have hidden structural weakness.
8. Never assume anything! Owner or third-party supplied suspension attachment points may not be adequate for suspending the loads.



IMPORTANT!: All six threaded inserts (four on the back, one on each side) must have fastening hardware (screws, lock washer, flat washer) securely installed. The insert holes are open into the enclosure. If a hole is left open it creates an air leak and the performance of the loudspeaker will be compromised. If the hardware is not securely installed it may rattle and/or fall out.



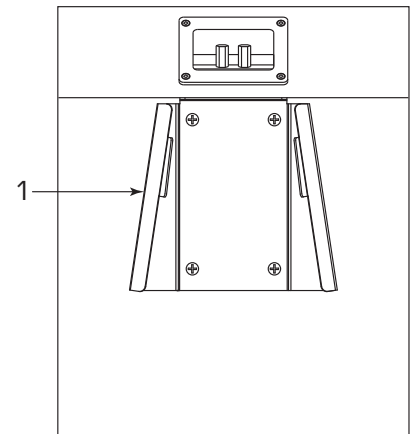
WARNING!: Be sure to read the "Rules for Suspension" before installing the loudspeaker.

Wall Mounting

Refer to Figure 1.

Mount the loudspeaker on the wall using the pre-installed bracket (1) and either a QM-SW wall bracket or a QM-BW wall bracket. The wall brackets are sold separately.

Refer to TD-000381 Surround Mounting Brackets User Manual for mounting instructions. The document is delivered with the brackets.



— Figure 1 —

Yoke Mounting

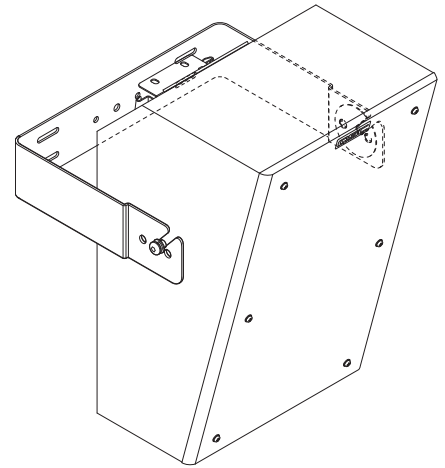
Refer to Figure 2

Mount the loudspeaker on the wall using the YM-300 yoke bracket. The yoke is sold separately.

Refer to TD-000376 Yoke Mount Bracket User Manual for mounting instructions. The document is delivered with the brackets.



NOTE: If the yoke is not used, be sure the screws on both sides of the enclosure are installed and tightened into threaded inserts to prevent air leak.



— Figure 2 —

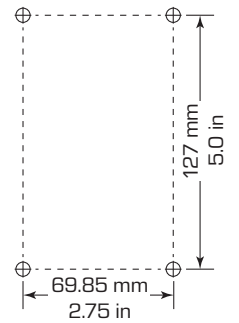
Third-party Brackets

The back panel of the enclosure has four mounting points that conform to the standard 2.75 x 5.0 inch hole mounting pattern (Figure 3). These mounting points allow you to use a standard 4-hole bracket.

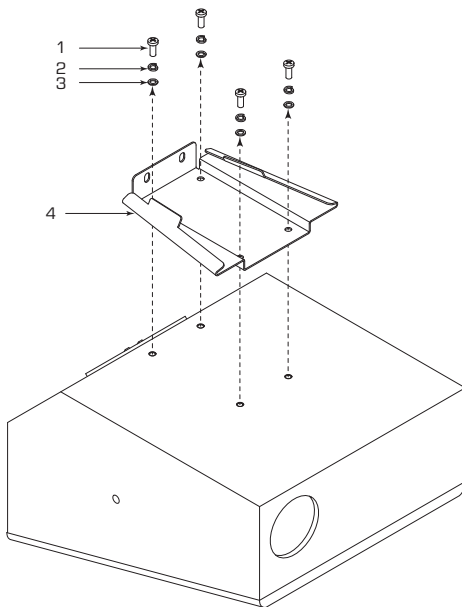
1. Use a Phillips screwdriver to remove four screws (1) lock washers (2) flat washers (3) and the pre-installed bracket (4) (Figure 4) .
2. Install the third-party mounting bracket (5) according to the manufacturer's instructions (Figure 5).
3. Install the screws (1), lock washer (2), and flat washer (3) removed in step 1.
4. Use a Phillips screwdriver to tighten the hardware.



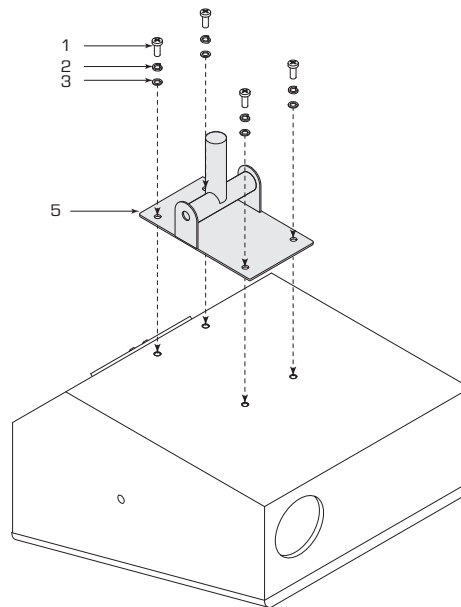
NOTE: Be sure to replace and tighten all hardware into threaded inserts to prevent air leak.



— Figure 3 —



— Figure 4 —



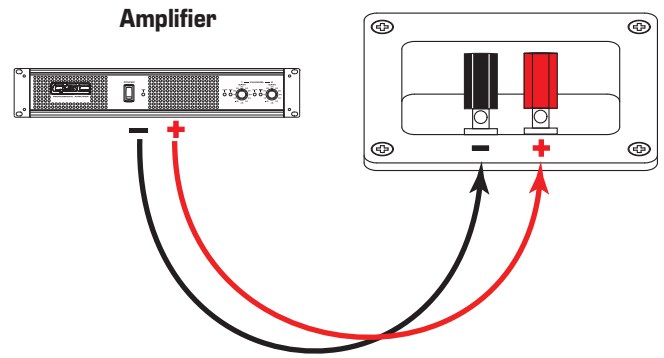
— Figure 5 —

Loudspeaker Connections

The SR-1000 has two 5-way binding posts. Be sure to maintain consistent polarity from the amplifier to the loudspeaker's input terminals.

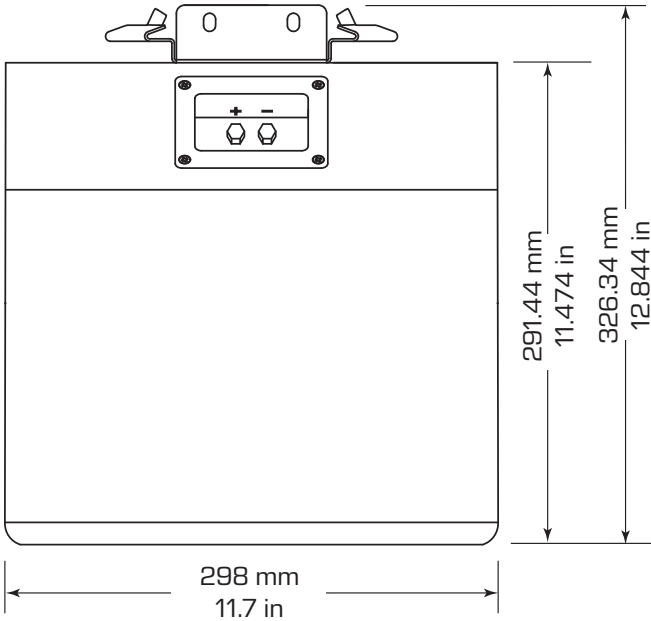
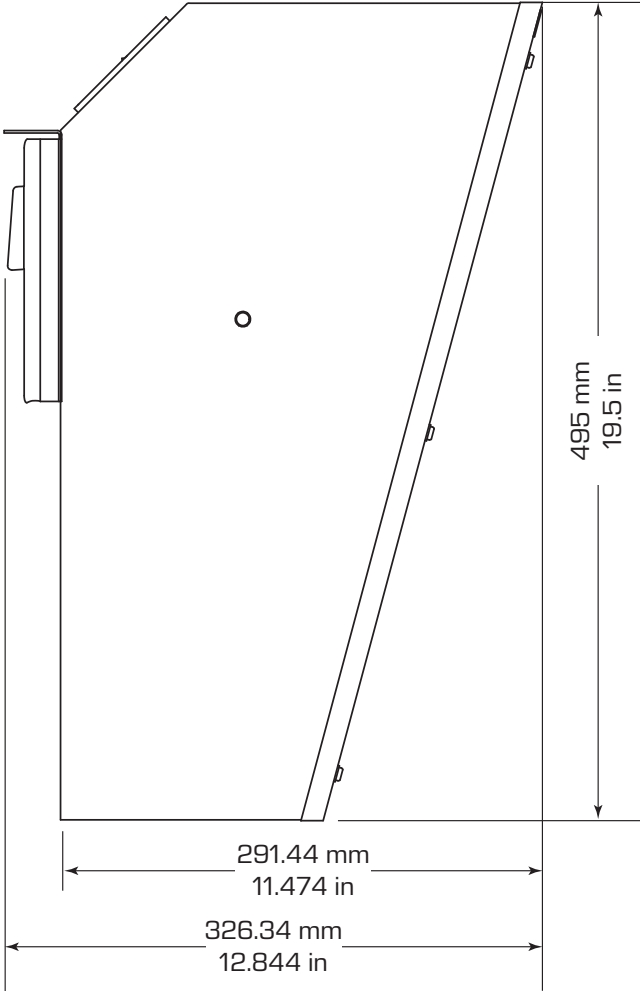
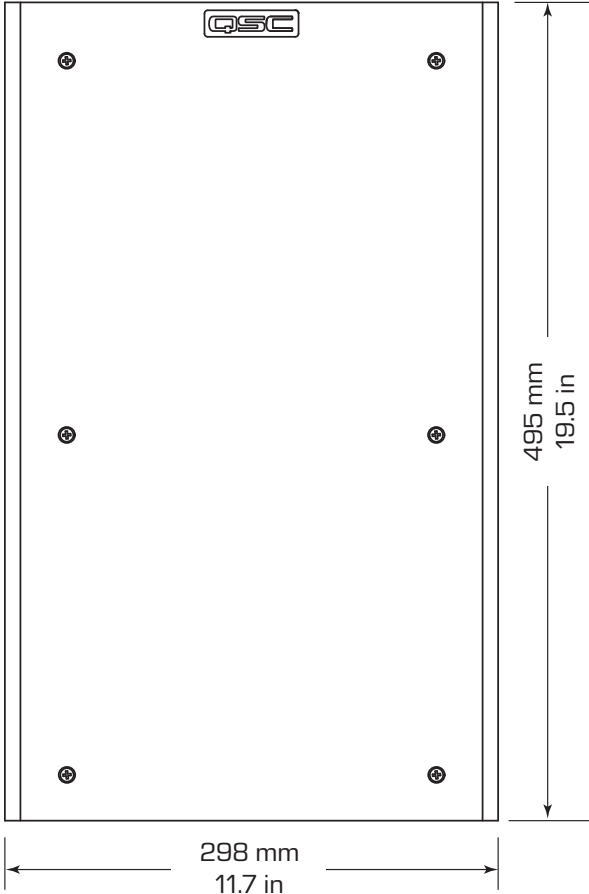
Wire each loudspeaker individually ("home run") to the amp rack location to allow for wiring flexibility.

1. Insert the wires from the amplifier – and + to the loudspeaker's – and + binding posts.
2. Tighten the binding posts to secure the wiring.
3. Secure the wires with the proper strain relief as needed.



— Figure 6 —

SR-1000 Dimensions





Mailing Address:

QSC, LLC

1675 MacArthur Boulevard

Costa Mesa, CA 92626-1468 USA

Telephone Numbers:

Main Number: (714) 754-6175

Sales & Marketing: (714) 957-7100 or toll free (USA only) (800) 854-4079

Customer Service: (714) 957-7150 or toll free (USA only) (800) 772-2834

Facsimile Numbers:

Sales & Marketing FAX: (714) 754-6174

Customer Service FAX: (714) 754-6173

World Wide Web:

www.qsc.com

E-mail:

info@qsc.com

cinematechsupport@qsc.com