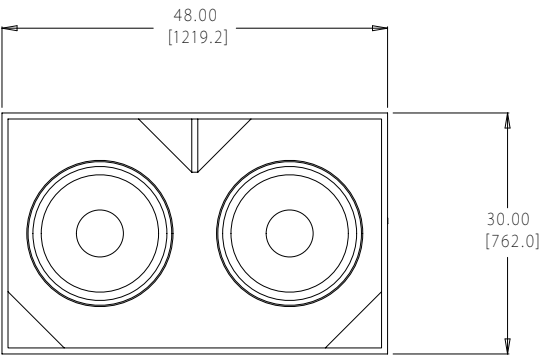


THIS DOCUMENT CONTAINS PROPRIETARY INFORMATION.  
WHICH IS THE PROPERTY OF QSC AUDIO PRODUCTS, INC.  
IT MAY NOT BE REPRODUCED, REPHRASED OR USED WITHOUT  
EXPLICIT WRITTEN CONSENT FROM QSC AUDIO PRODUCTS.

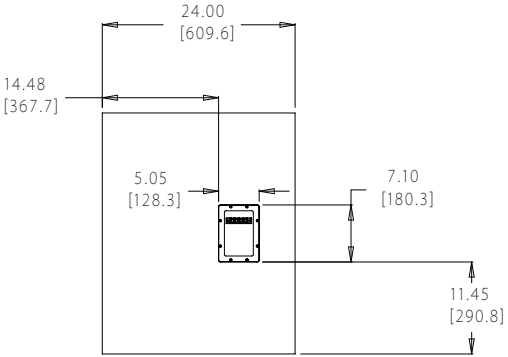
REVISIONS				
REV	DESCRIPTION	EFF. DATE	CHK	APPROVED DATE
A	RELEASE PER ECO 7284 JD	6-23-06		B.H.



TOP



FRONT



RIGHT

- 3. TOLERANCES (INCHES): .XX ± .13, ANGLES: ± 1°.
- 2. SHIPPING WEIGHT APPROX.: SB-5218- 225 LBS (102 KG).  
SB-7218- 230 LBS (104 KG).
- 1. NET WEIGHT APPROX.: SB-5218- 205 LBS (93 KG).  
SB-7218- 210 LBS (95 KG).

NOTE: UNLESS OTHERWISE SPECIFIED

UNLESS OTHERWISE SPECIFIED DIMENSIONS ARE IN INCHES. TOLERANCES ARE: DECIMALS    DECIMALS    ANGLES .XX ± .02    .XXX ± .010    ±1/2 DEBURR EDGES .010 R MAX	CONTRACT NO.	
	APPROVALS	DATE
	DRAWN J. DELARM	21-Jun-06
	CHECKED B. HAWKINS	21-Jun-06
MATERIAL NONE	ISSUED A. RUTKIN	MKT 21-Jun-06
FINISH NONE	ISSUED D. DELARM	21-Jun-06
DO NOT SCALE DRAWING	WP-05X2180-00.main.D.0	

**QSC** QSC AUDIO PRODUCTS, INC.  
1675 MACARTHUR BOULEVARD  
COSTA MESA, CA 92626

**SPEAKER, FINISHED**  
SB-5218, SB-7218

SIZE C	CAGE CODE 00PW4	DWG NO. RD-000373-01	REV A
SCALE 0.10	RD-000373-01.A.3		SHEET 1 of 1

DWG NO. RD-000373-01  
1  
REV A