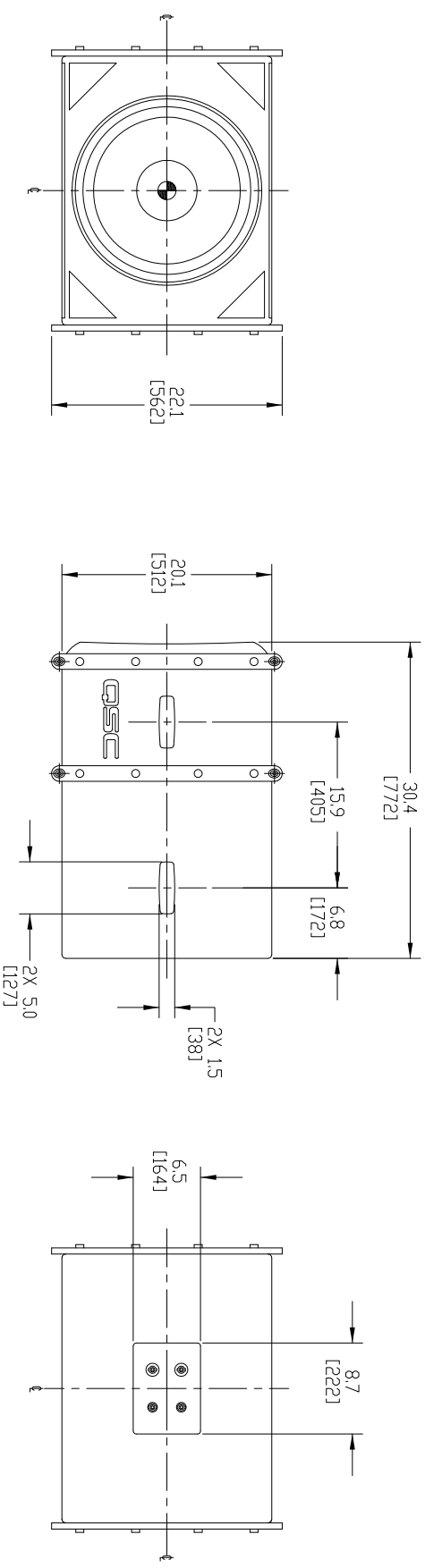
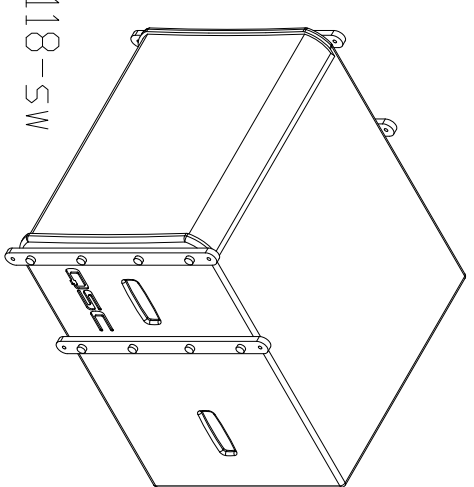
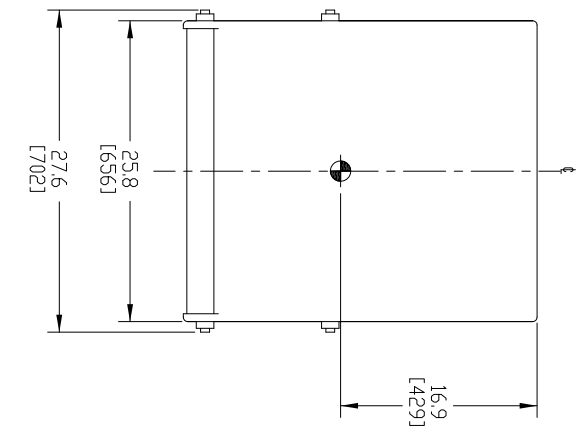


THIS DOCUMENT CONTAINS PROPRIETARY INFORMATION WHICH IS THE PROPERTY OF QSC AUDIO PRODUCTS, THAT MAY NOT BE REPRODUCED, REPRODUCED OR USED WITHOUT EXPRESS WRITTEN CONSENT FROM QSC AUDIO PRODUCTS.

REV. ECD		DESCRIPTION	BY	EFF. DATE	ISSUED
A	-	RELEASE	JD	20-JAN-11	DD



UNLESS OTHERWISE SPECIFIED DIMENSIONS IN INCHES (MM) TOLERANCES ARE:

APPROVALS	DATE	 QSC AUDIO PRODUCTS, LLC 1675 MACARTHUR BOULEVARD COSTA MESA, CA 92626
DESIGNED BY: J. DELARM	13-JAN-11	
CHECKED BY: M. HARRIS	19-JAN-11	SPEAKER, FINISHED, WL118-SW
DATE CHECKED: 19-JAN-11		
DESIGNED BY: P. SANCHEZ	19-JAN-11	
DATE CHECKED: N/A		
DRAWING INFO: FG-011800-2DA1	SIZE: C	CAGE CODE: 00P W4
MODEL INFO: FG-011800-3DA0	SCALE: 0.125	DRAWING NO.: FG-011800-2D
		REV: A

1. NET WEIGHT APPROX. 111 LBS (50.5 KG)
 2. TOLERANCES (INCHES): X ± .13, ANGLES: ± 1°
 3. SYMBOL Ⓞ INDICATES SUSPENSION POINT, Ø .32"
 4. SYMBOL Ⓢ INDICATES CENTER OF BALANCE.
 5. PARTS ARE SYMMETRICAL ABOUT CENTER LINES UNLESS OTHERWISE NOTED.

NOTE: UNLESS OTHERWISE SPECIFIED