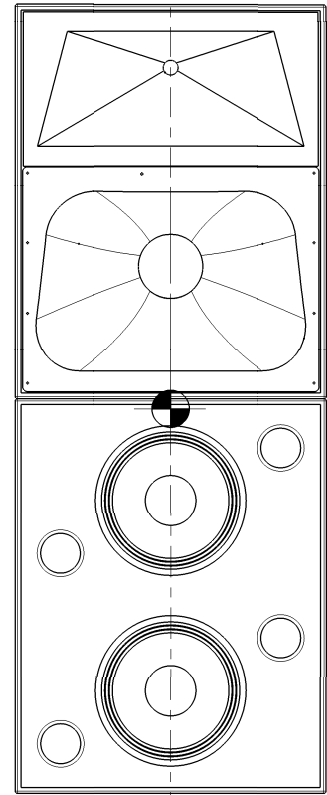
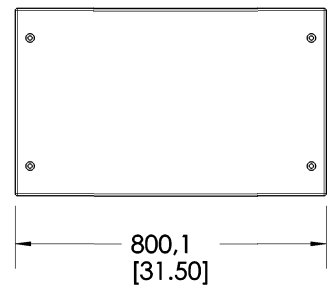
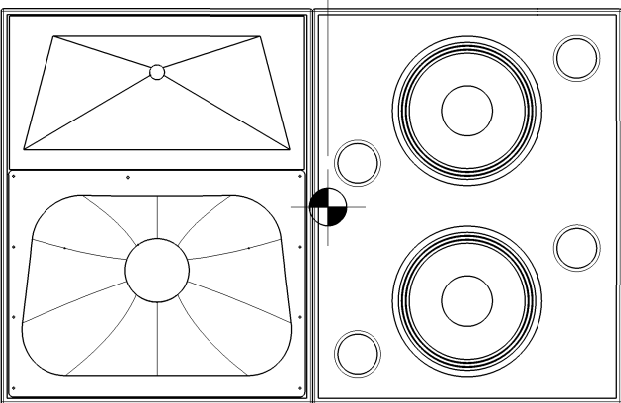
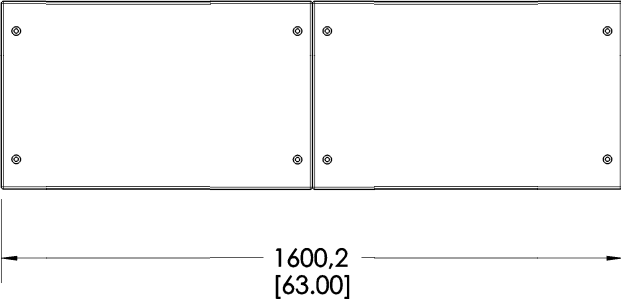
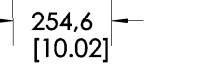
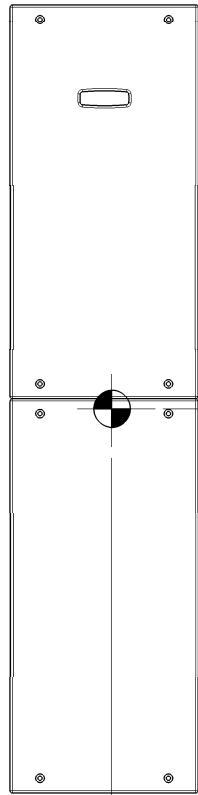
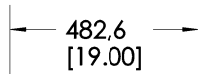


THIS DOCUMENT CONTAINS PROPRIETARY INFORMATION WHICH IS THE PROPERTY OF QSC, LLC. THAT MAY NOT BE DISCLOSED, REPRODUCED OR USED WITHOUT THE EXPRESS WRITTEN CONSENT FROM QSC, LLC.

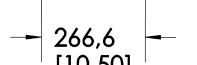
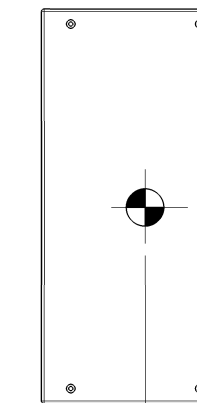
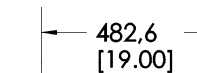
REVISION		BY	DATE
REV	DESCRIPTION	SS	30-APR-18
A	INITIAL RELEASE		



VERTICAL CONFIGURATION



HORIZONTAL CONFIGURATION



- 3. SYMBOL INDICATES CENTER OF BALANCE.
- 2. SYMBOL INDICATES SUSPENSION POINT, 24 TOTAL: M10-1.5 THD.
- 1. NET WEIGHT APPROX. 115.9 KG (255 LBS)

NOTES: UNLESS OTHERWISE SPECIFIED

UNLESS OTHERWISE SPECIFIED DIMENSIONS ARE IN MM [IN]		CAD GENERATED DRAWING DO NOT MANUALLY UPDATE		QSC, LLC 1675 MACARTHUR BOULEVARD COSTA MESA, CA 92626 USA	
TOLERANCES ARE:		APPROVALS		<b>SPEAKER, FINISHED, SC-424-8F</b>	
DECIMALS	ANGLES	DRAWN BY S. STASIAK			
.X ± 3 [.12]	±1°	MECH ENGINEER B. HAWKINS			
MATERIAL N/A		TECH DIRECTOR L. MERCUS			
FINISH N/A		MFG ENG M. JEN		SIZE B	CAGE CODE 00PW4
DO NOT SCALE DRAWING		PROJECTION SYMBOL		DWG. NO. DCS-SC-424-8F-2D	REV A
SCALE: 1:20		CAD FILE: DCS-SC-424-8F-2D.A.2		SHEET: 1 OF 1	