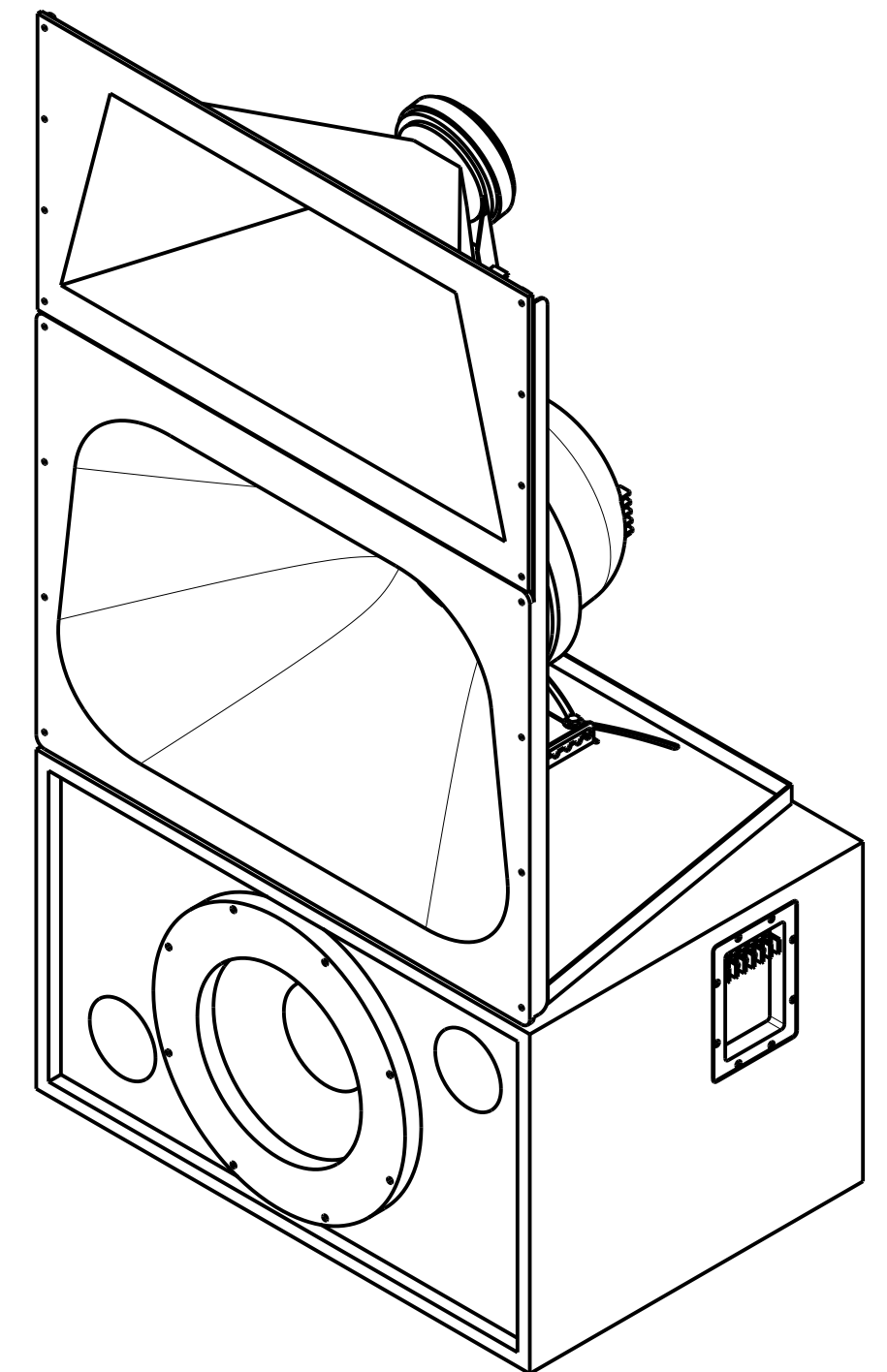
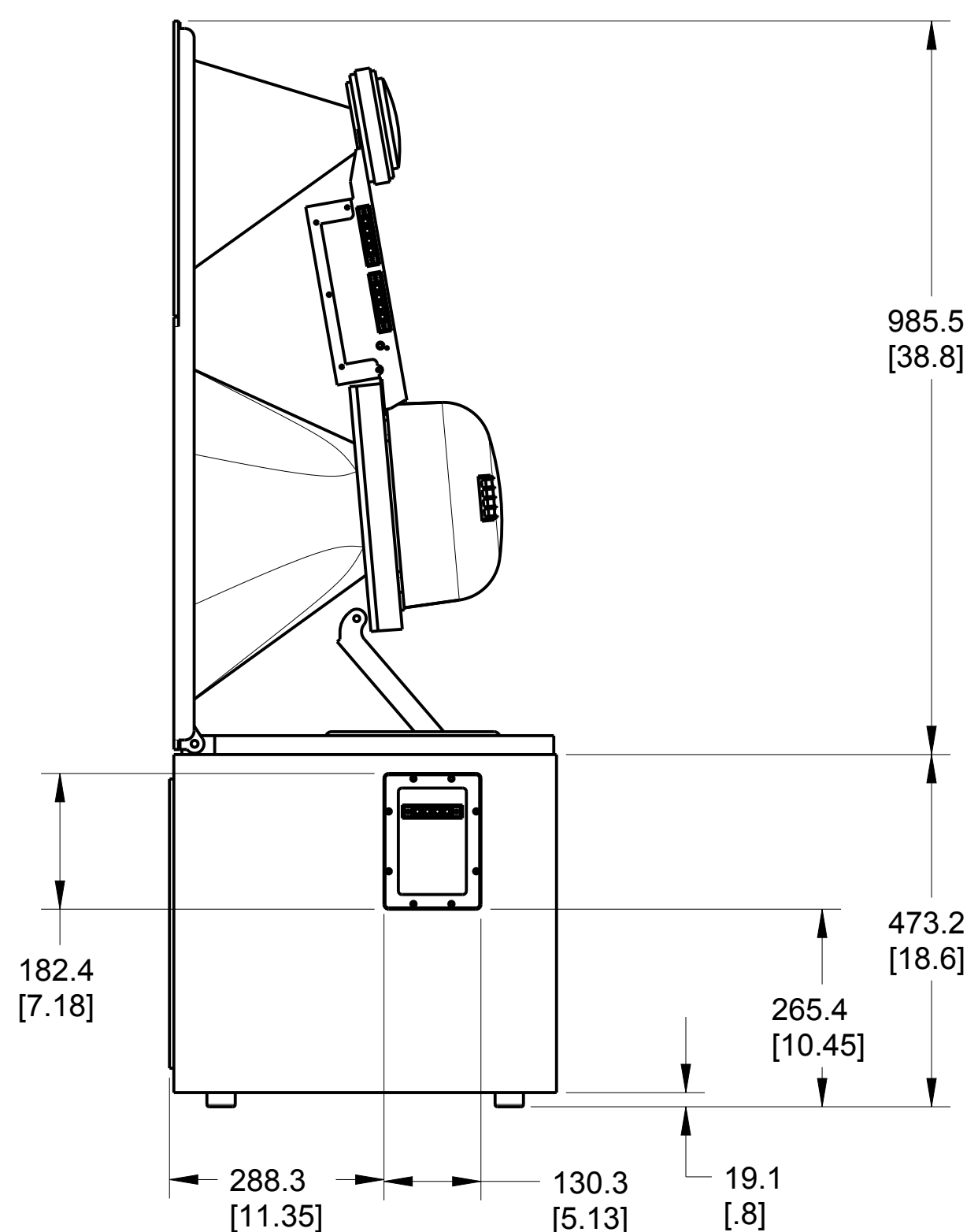
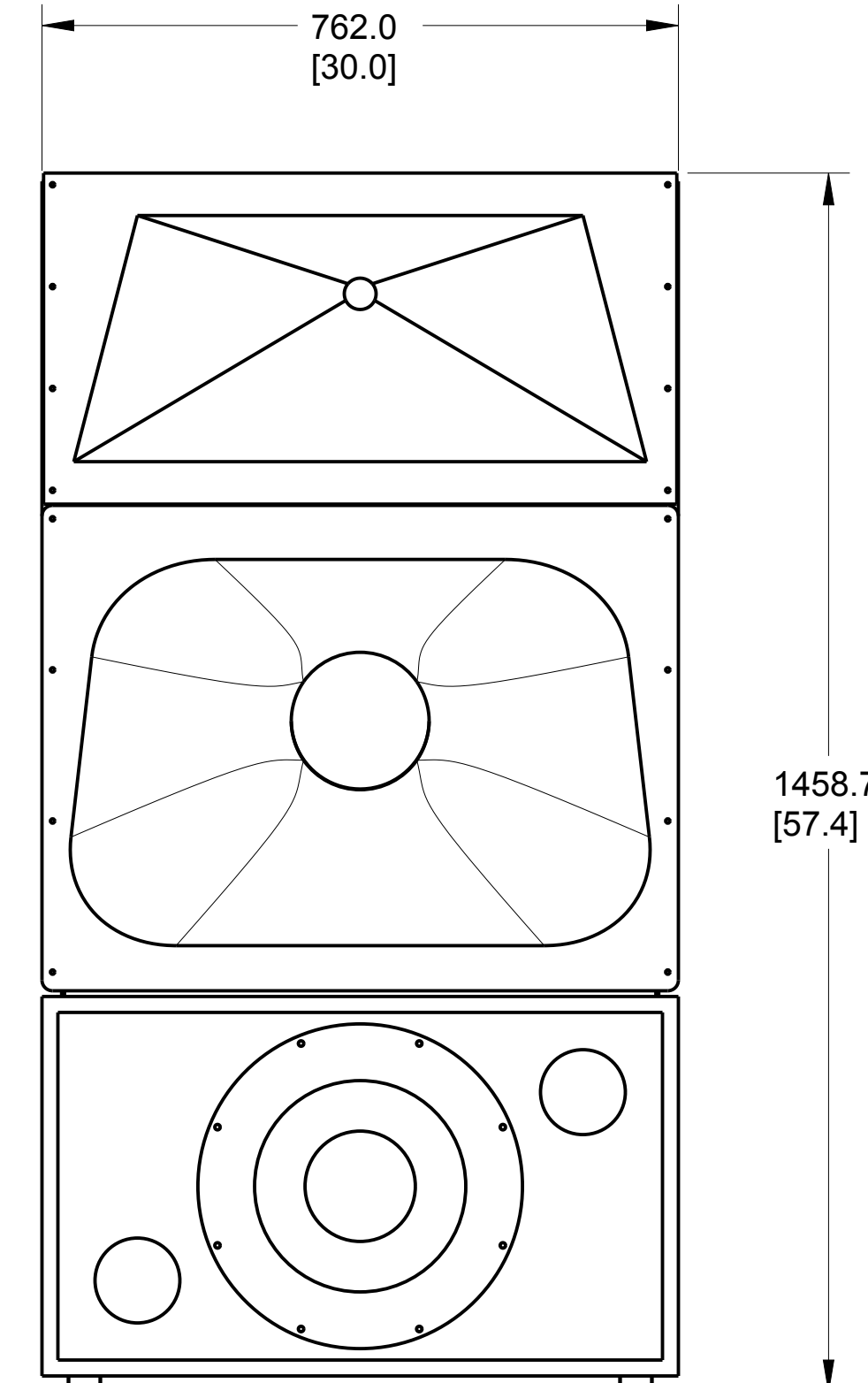
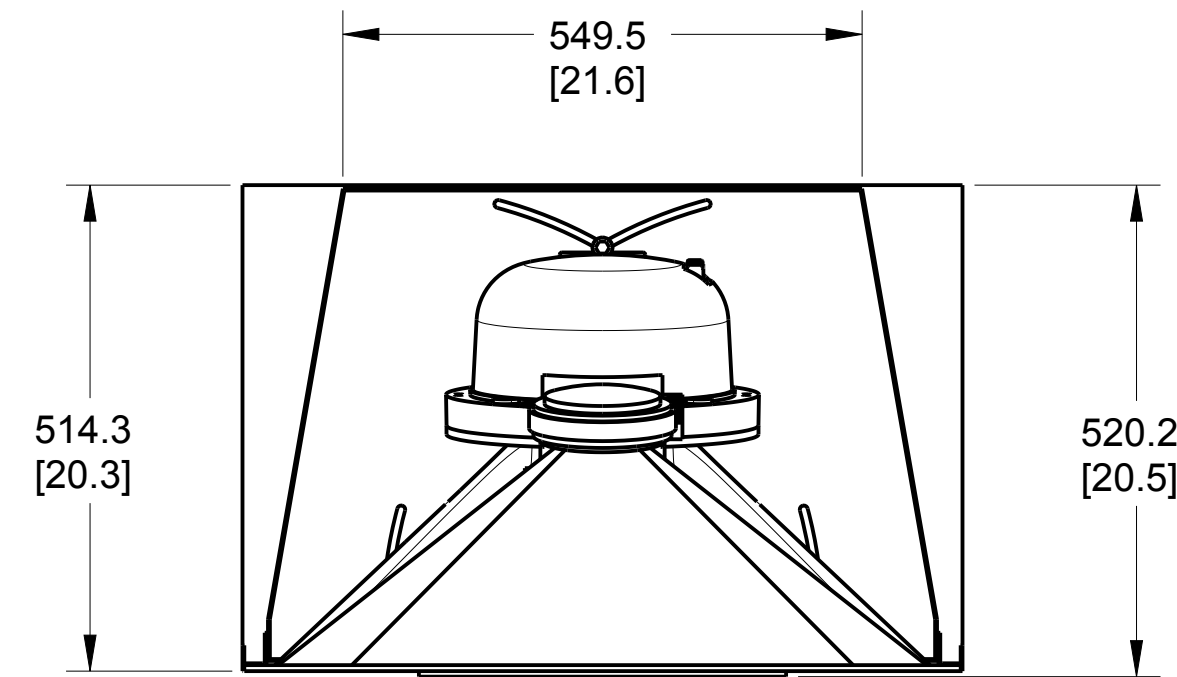


THIS DOCUMENT CONTAINS PROPRIETARY INFORMATION WHICH IS THE PROPERTY OF QSC, LLC. THAT MAY NOT BE DISCLOSED, REPRODUCED OR USED WITHOUT EXPRESS WRITTEN CONSENT FROM QSC, LLC.

REVISIONS			
REV	DESCRIPTION	BY	DATE
A	RELEASE FOR SALES AND MARKETING	ES	05-OCT-16



- 3. DIMENSIONS ARE IN MILLIMETERS [INCH].
- 2. TOLERANCES (MM): X ± 3, ANGLES: ± 1°.
- 1. NET WEIGHT APPROX. 168 LBS (76.2 KG).

NOTES: UNLESS OTHERWISE SPECIFIED

UNLESS OTHERWISE SPECIFIED DIMENSIONS IN MILLIMETERS [IN] TOLERANCES ARE: DECIMALS DECIMALS ANGLES X± .5[0.2] XX± .25[0.01] ± 1/2 DEBURR EDGES .25 [0.010] R MAX	DESIGNER	QSC, LLC 1675 MACARTHUR BOULEVARD COSTA MESA, CA 92626	<b>SPEAKER, FINISHED, SC-413C</b>	
	ENGINEER			
	TECHNICAL DIRECTOR			
	MANUFACTURING ENGINEER			
MATERIAL	FINISH	DRAWING INFO: RD-000386-2D.A.0 MODEL INFO: RD-000386-3D.A.1	SIZE: D CAGE CODE: 00PW4 DRAWING NO.: RD-000386-2D SCALE: 0.125 DO NOT SCALE DRAWING	REV: A SHEET: 1 OF 1