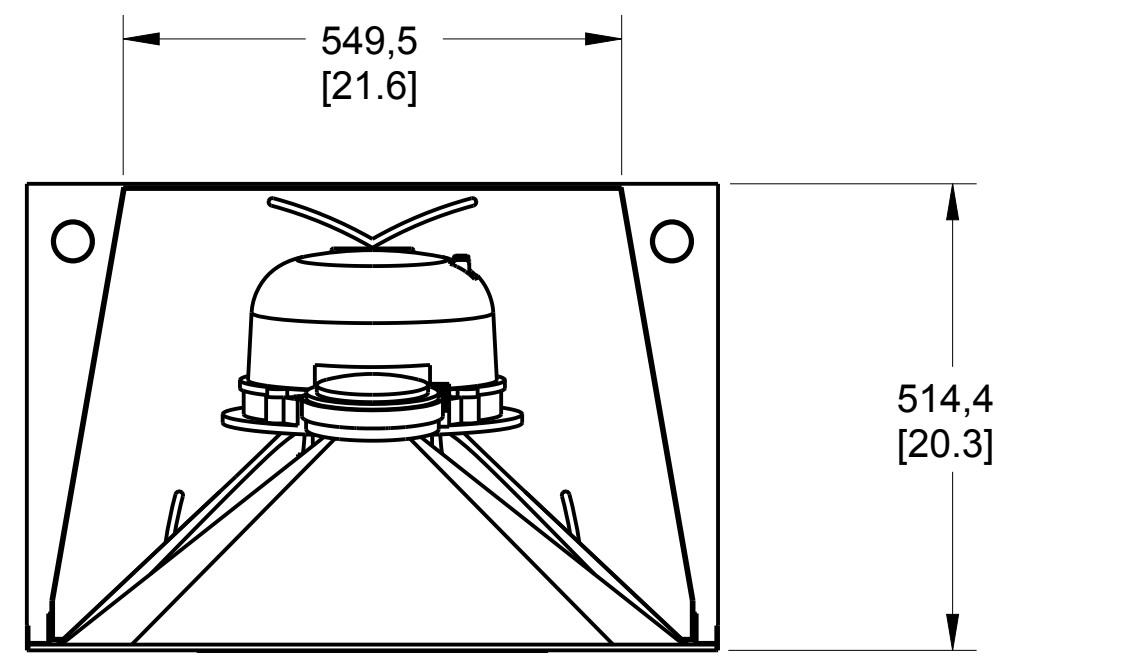
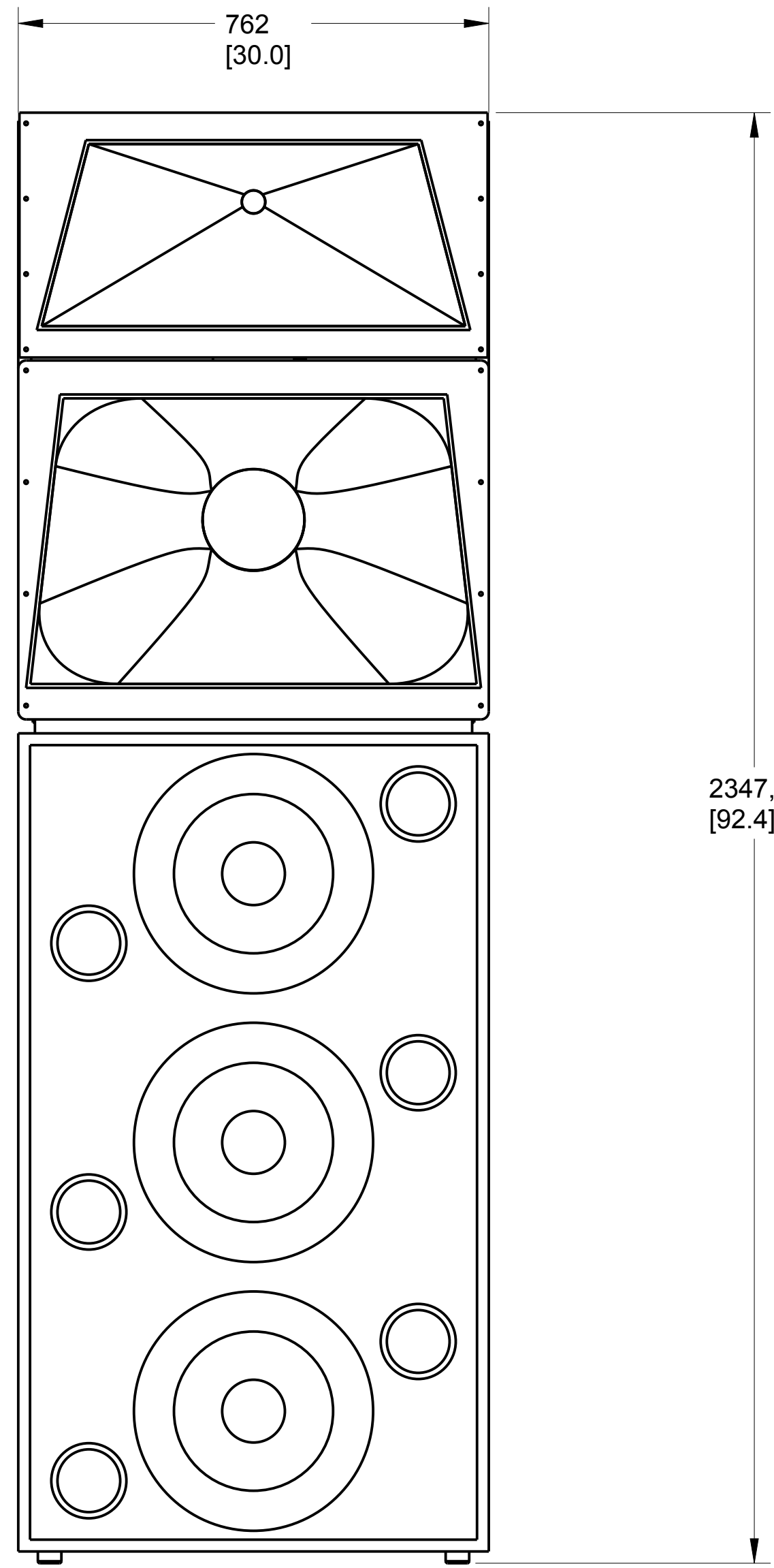


THIS DOCUMENT CONTAINS PROPRIETARY INFORMATION WHICH IS THE PROPERTY OF QSC, LLC. THAT MAY NOT BE DISCLOSED, REPRODUCED OR USED WITHOUT EXPRESS WRITTEN CONSENT FROM QSC, LLC.

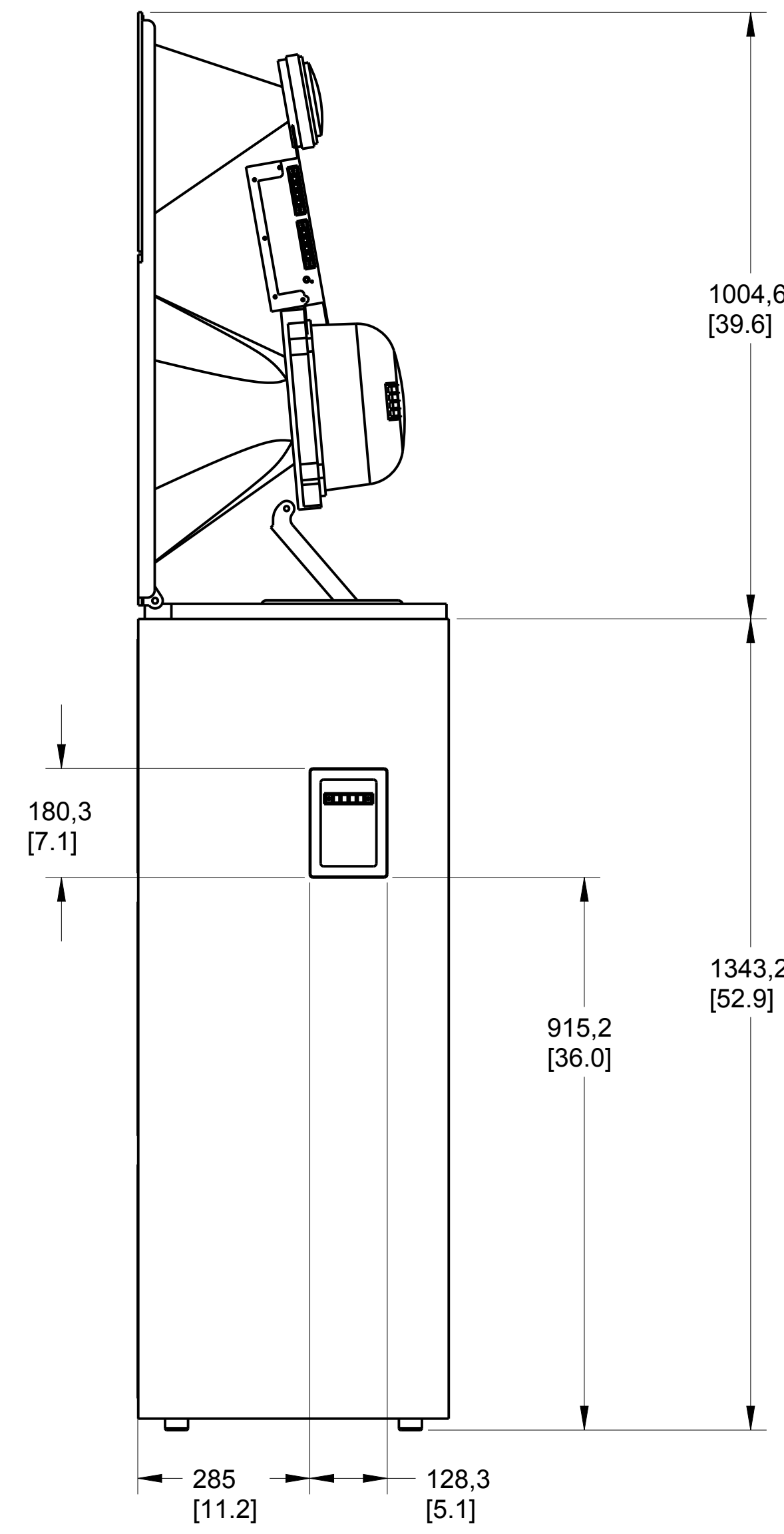
REVISIONS			
REV	DESCRIPTION	BY	DATE
A	RELEASE FOR SALES AND MARKETING	SS	3-OCT-16



TOP



FRONT



RIGHT

3. DIMENSIONS ARE IN MILLIMETERS [INCH].
 2. TOLERANCES (MM): X± 3, ANGLES: ± 1°.
 1. NET WEIGHT APPROX. 345 LBS (157 KG)

NOTE: UNLESS OTHERWISE SPECIFIED

UNLESS OTHERWISE SPECIFIED DIMENSIONS IN MILLIMETERS (IN) TOLERANCES ARE: DECIMALS DECIMALS ANGLES X± .5(02) XX± .25(01) ± 1/2 DEBURR EDGES .25 (010) R MAX	DESIGNER	QSC, LLC 1675 MACARTHUR BOULEVARD COSTA MESA, CA 92626	SIZE	CAGE CODE	DRAWING NO.	REV
	ENGINEERING SERVICES		D	00PW4	RD-000402-2D	1
	ENGINEER					
	TECHNICAL DIRECTOR					
MATERIAL	MANUFACTURING ENGINEER					
FINISH	DRAWING INFO: RD-000402-2D					
	MODEL INFO: RD-000402-3D.1.0		SCALE: 0.120	DO NOT SCALE DRAWING	SHEET	1 OF 1