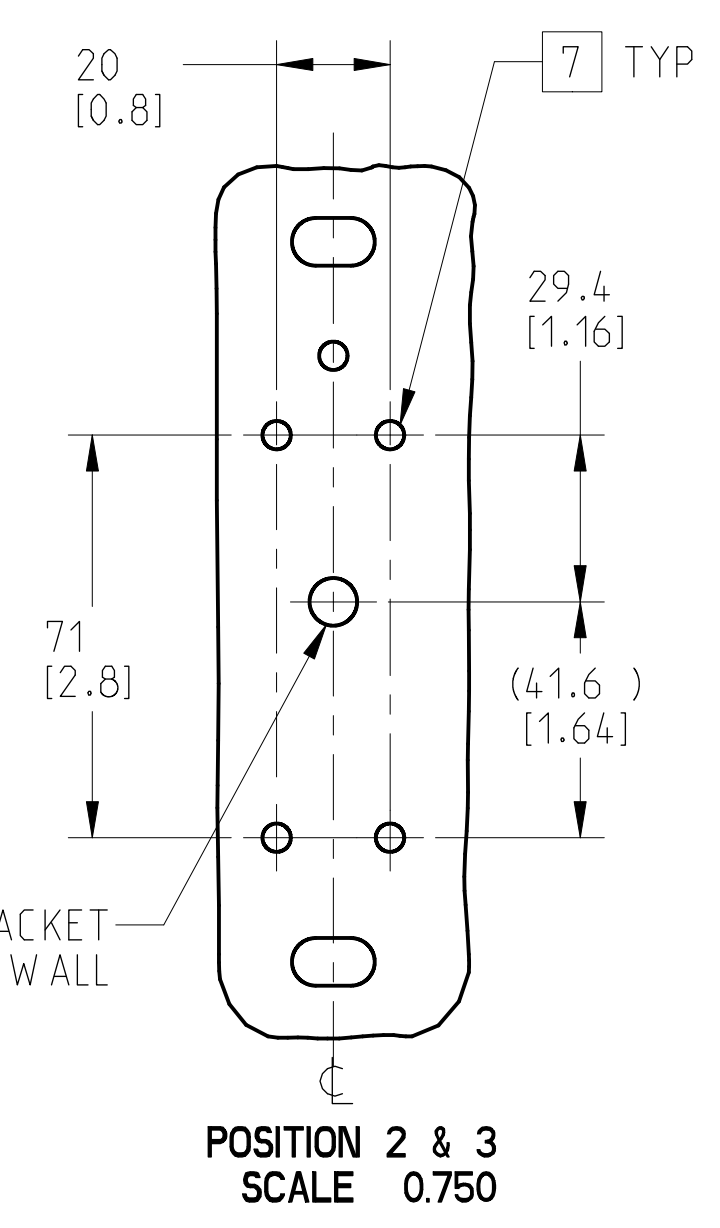
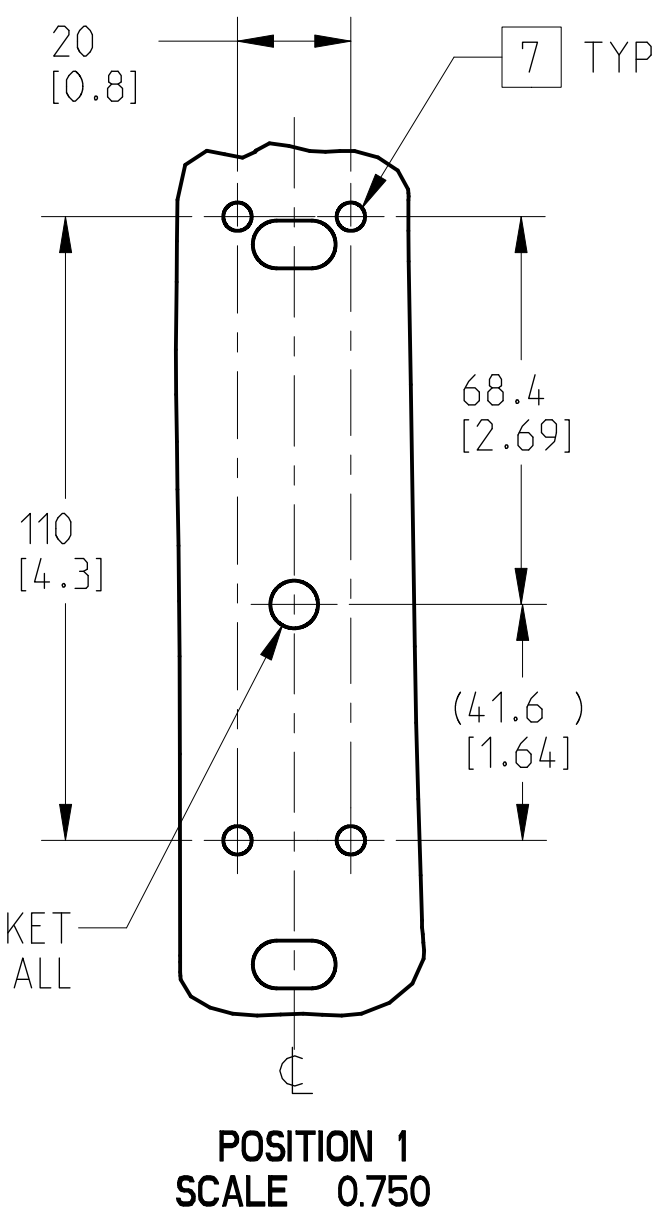
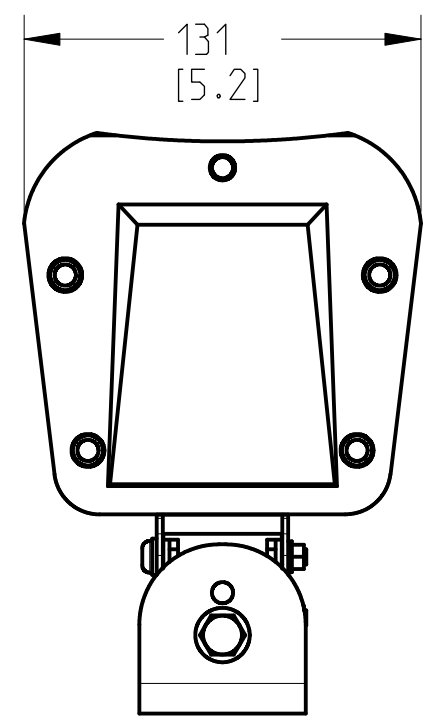
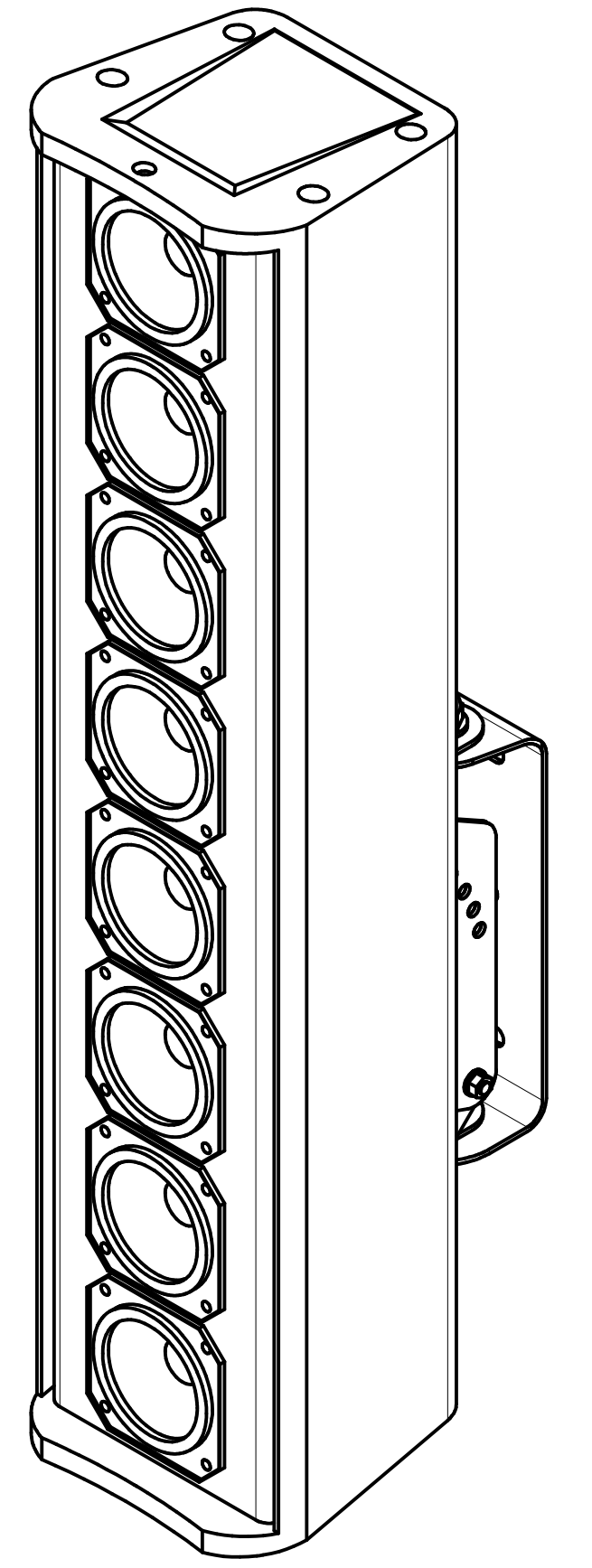
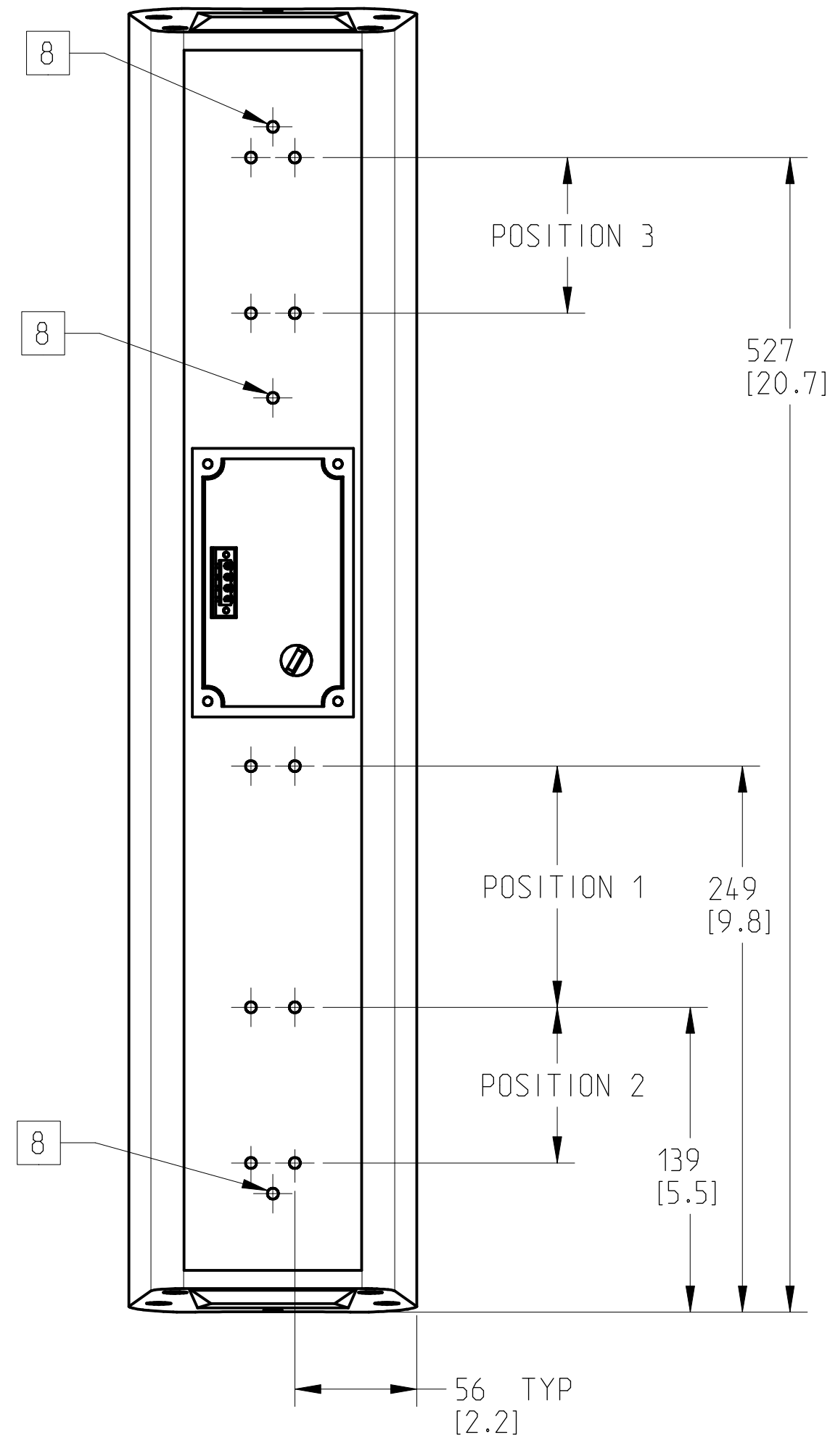
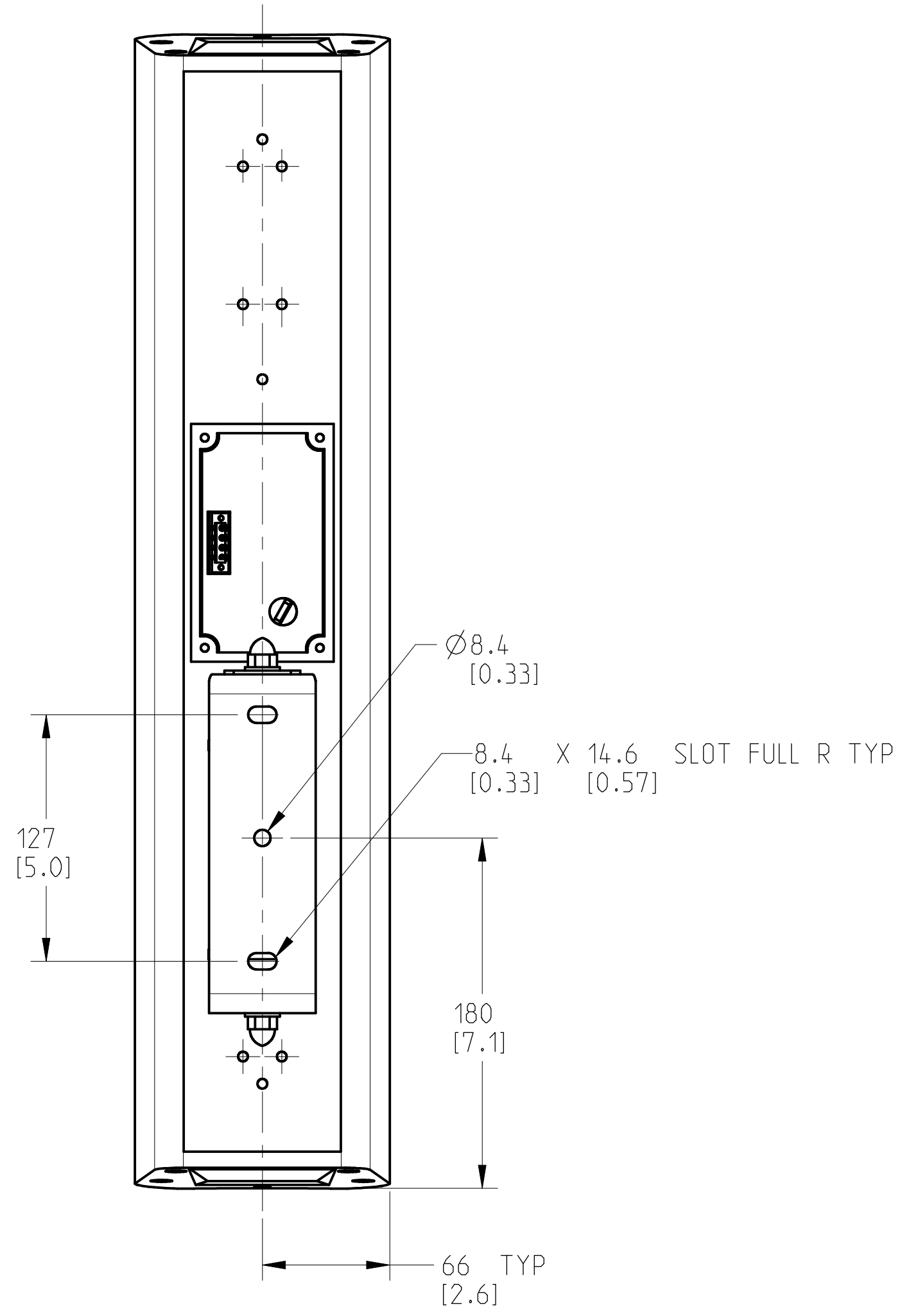
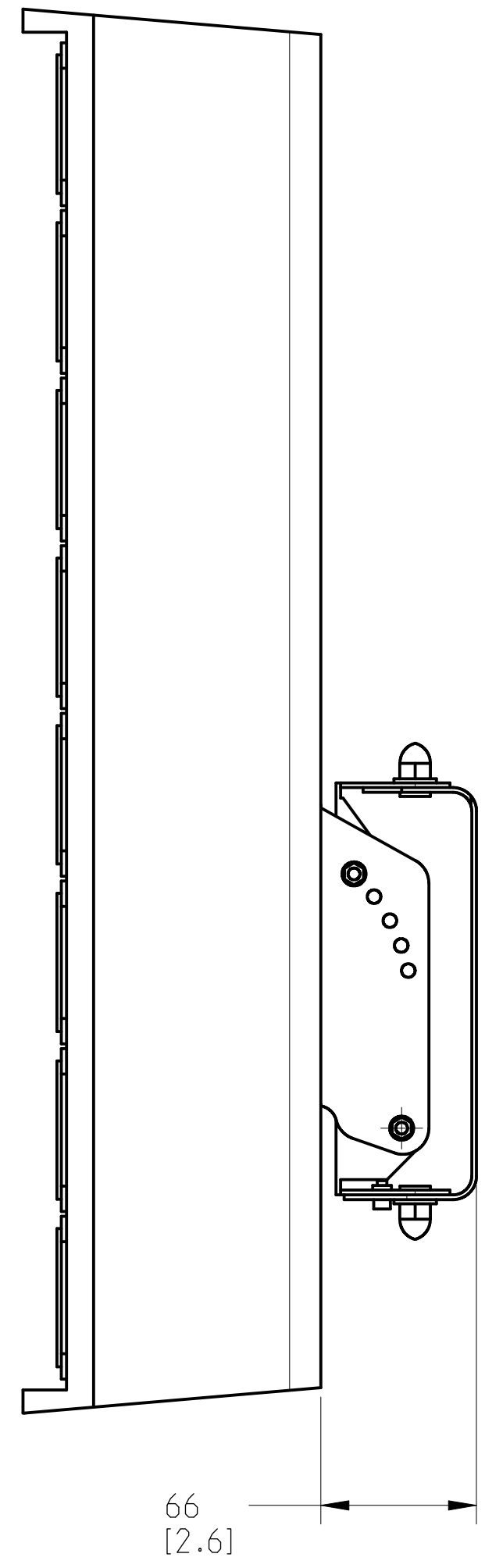
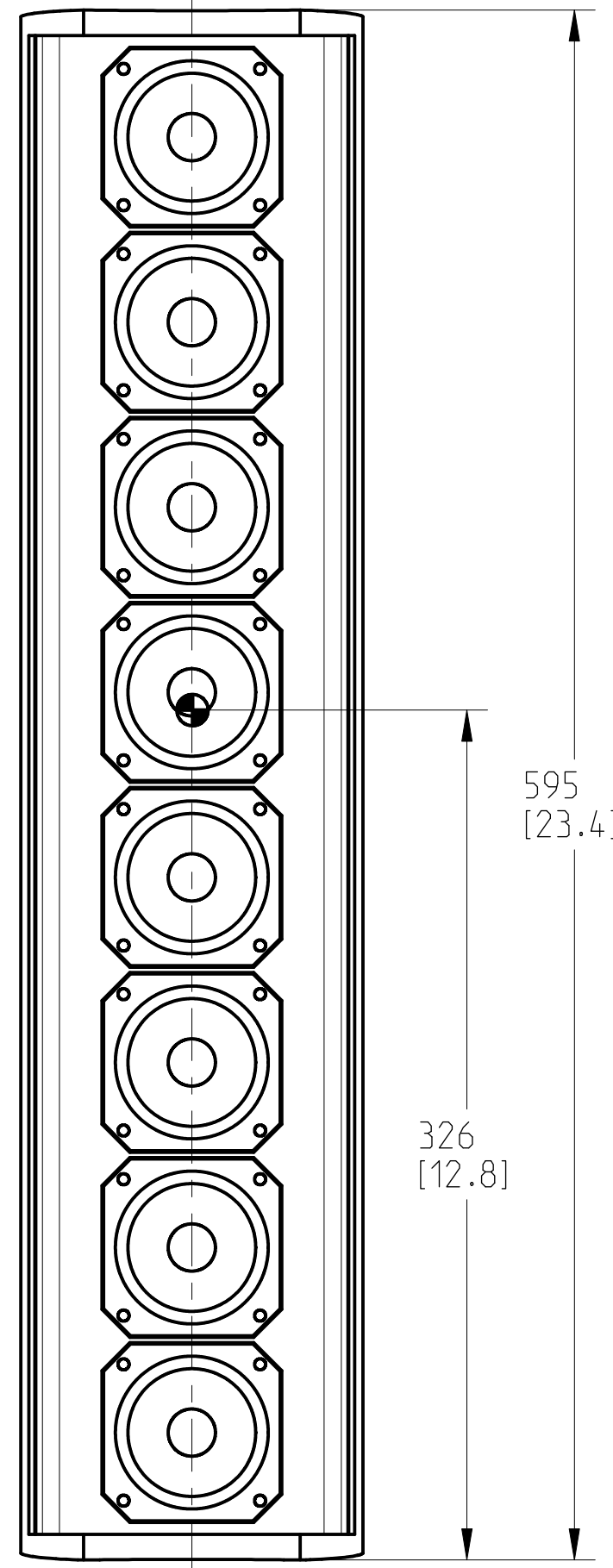
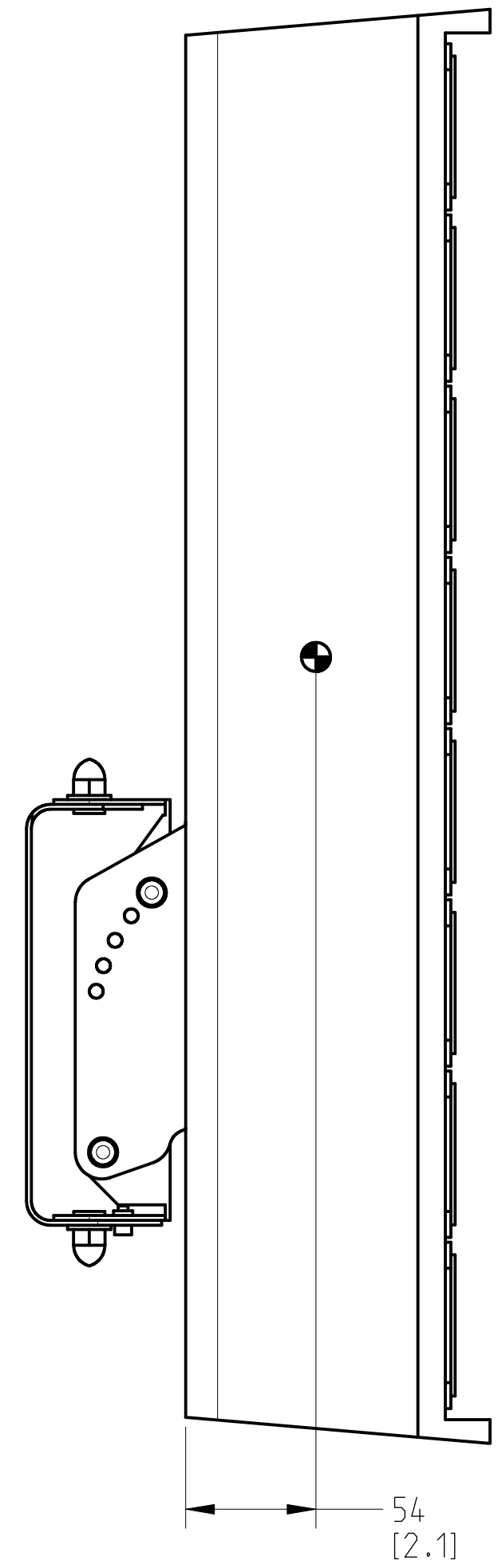
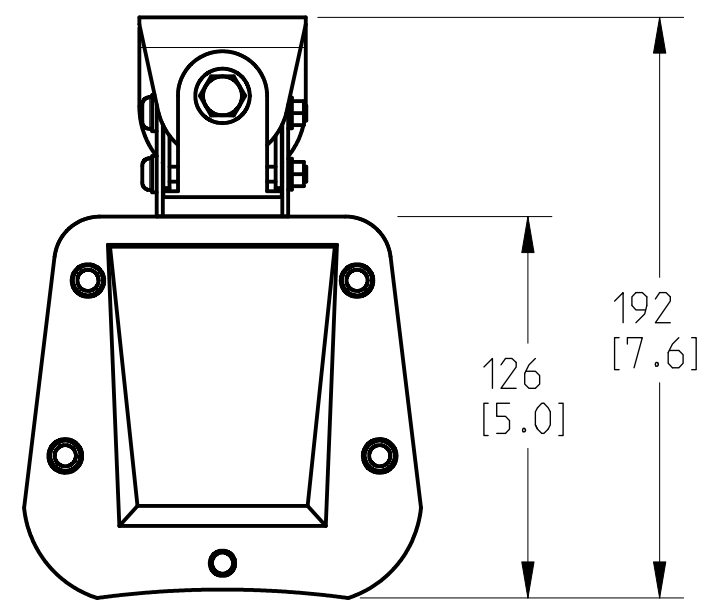


THIS DOCUMENT CONTAINS PROPRIETARY INFORMATION WHICH IS THE PROPERTY OF QSC, LLC. THAT MAY NOT BE DISCLOSED, REPRODUCED OR USED WITHOUT EXPRESS WRITTEN CONSENT FROM QSC, LLC.

REVISIONS			
REV	DESCRIPTION	BY	DATE
A	RELEASE FOR SALES AND MARKETING	ES	21-JUL-17



SPEAKER WITHOUT MOUNTING BRACKET

- 9. SYMBOL ⊕ INDICATES CENTER OF BALANCE.
- 8 SAFETY HARNESS EYEBOLT MAY BE ASSEMBLED IN 3 DIFFERENT LOCATIONS. EYEBOLT IS SIZE M6 X 1 THREAD.
- 7 MOUNTING BRACKET MAY BE PLACED IN 3 DIFFERENT POSITIONS. ASSEMBLE WITH M6 X 1 THREAD SCREWS PROVIDED.
- 6. MOUNTING BRACKET SHOWN IN ZERO TILT, ZERO PAN ORIENTATION.
- 5. PARTS ARE SYMMETRICAL ABOUT CENTER UNLESS OTHERWISE NOTED.
- 4. GRILLE NOT SHOWN FOR CLARITY.
- 3. DIMENSIONS ARE IN MILLIMETERS [INCH].
- 2. TOLERANCES (MM): X ± 3, ANGLES: ± 1°.
- 1. NET WEIGHT APPROX. 6.2 KG. [13.7 LBS.].

NOTES: UNLESS OTHERWISE SPECIFIED

UNLESS OTHERWISE SPECIFIED DIMENSIONS IN MILLIMETERS (IN) TOLERANCES ARE: DECIMALS .X±.5(.02) ANGLES .XX±.25(.010) ± 1/2 DECURR EDGES .25 (1.010) R MAX	DESIGNER ENG. SERVICES	QSC, LLC 1675 MACARTHUR BOULEVARD COSTA MESA, CA 92626	LOUDSPEAKER, N008 AD-S802T, FINISHED	REV
	ENGINEER			SIZE
MATERIAL	TECHNICAL DIRECTOR	DRAWING NO. FG-901065-2D	DRAWING INFO: FG-901065-2D.A.3 MODEL INFO: FG-901065-3D.A.1	REV
FINISH	MANUFACTURING ENGINEER			SIZE