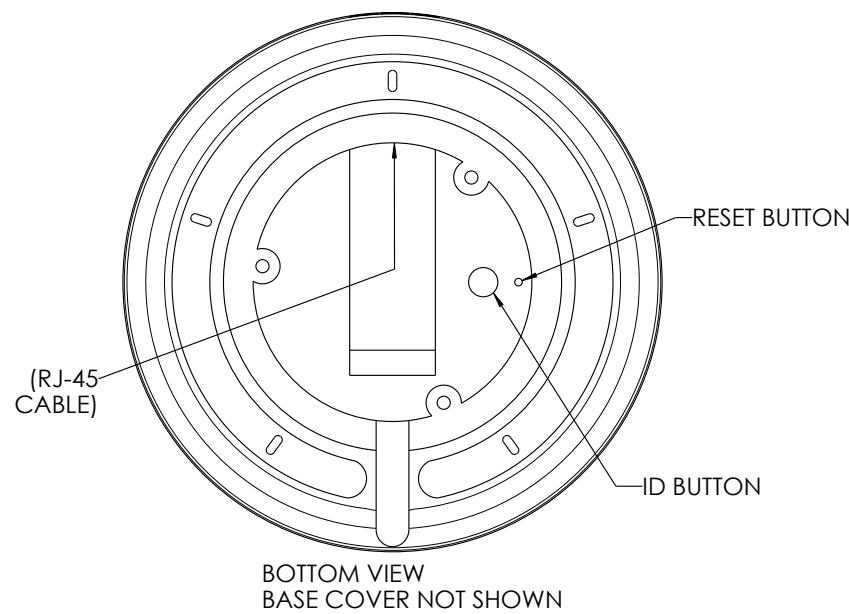
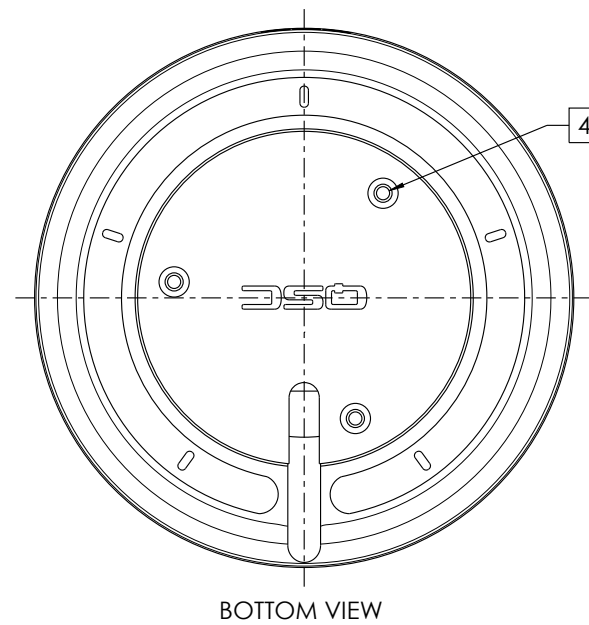
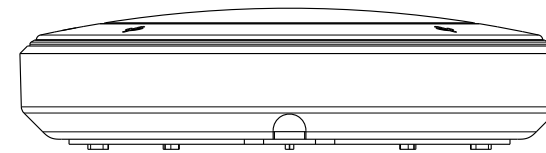
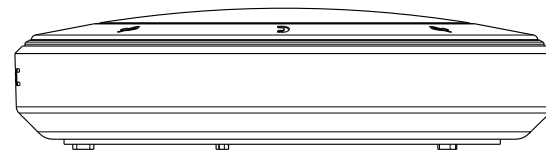
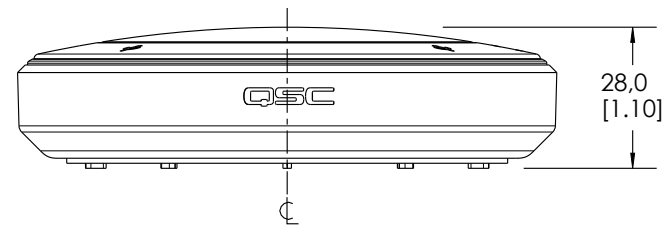
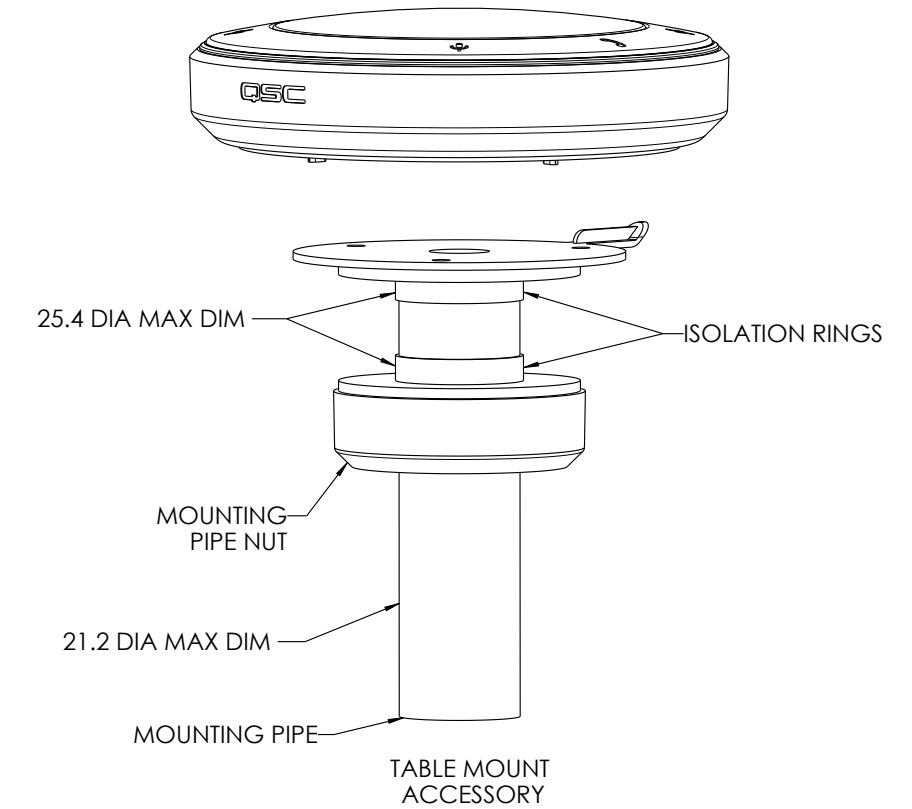
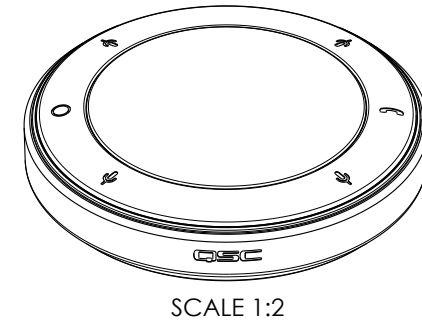
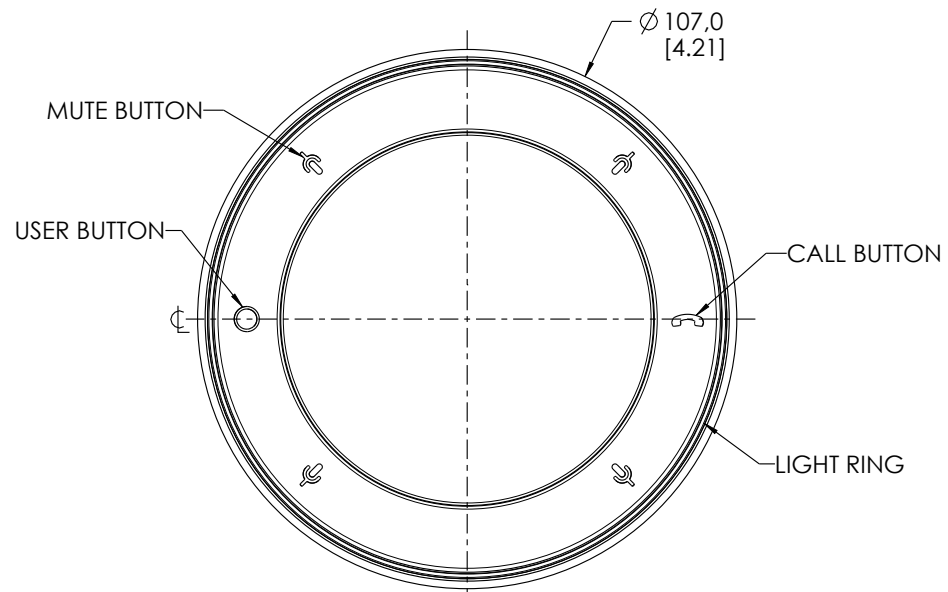


THIS DOCUMENT CONTAINS CONFIDENTIAL OR PROPRIETARY INFORMATION WHICH IS THE PROPERTY OF QSC, LLC, THAT MAY NOT BE DISCLOSED, REPRODUCED OR USED WITHOUT EXPRESS WRITTEN CONSENT FROM QSC, LLC. NO PORTION OF THIS DOCUMENT MAY BE REPRODUCED, REDISTRIBUTED, OR OTHERWISE DISCLOSED TO ANY THIRD PARTY WITHOUT QSC'S WRITTEN PERMISSION.

REVISION			
REV	DESCRIPTION	BY	DATE
A	INITIAL RELEASE	JD	13-DEC-21
B	ADD RING AND PIPE DIAMETER DIMS	AA	27-JAN-23

NOTES: UNLESS OTHERWISE SPECIFIED

- NET WEIGHT APPROX. 0.4 KG [1 LBS].
- PARTS ARE SYMMETRICAL ABOUT CENTER LINES UNLESS OTHERWISE NOTED.
- GRILLE PERF NOT SHOWN FOR CLARITY.
- ACCESSORY MOUNTING, 3X M3X0.5 THREAD.



UNLESS OTHERWISE SPECIFIED DIMENSIONS ARE IN MM [IN] TOLERANCES ARE: DECIMALS .X ± 3 [ .12] ANGLES ± 1°	CAD GENERATED DRAWING DO NOT MANUALLY UPDATE	QSC, LLC 1675 MACARTHUR BOULEVARD COSTA MESA, CA 92626 USA
	APPROVALS	
MATERIAL N/A	DRAWN BY J. DELARM	<b>PROCESSOR, NM-T1-BK, FINISHED</b>
FINISH N/A	MECH ENGINEER J. YOUNG	
DO NOT SCALE DRAWING	TECH DIRECTOR A. AGUILAR	
PROJECTION SYMBOL	MFG ENGINEER C. YOMOGIDA	
SIZE B CAGE CODE 00PW4 DWG. NO. FG-901504-2D REV B SCALE: 1:1.5 CAD FILE: FG-901504-2D.B.1 SHEET: 1 OF 1		Form: QMS100206 Rev C