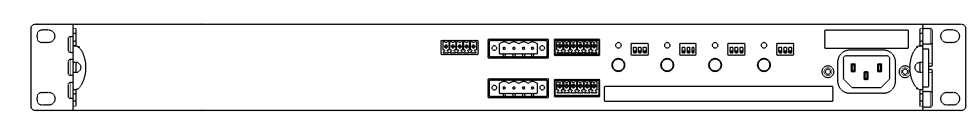
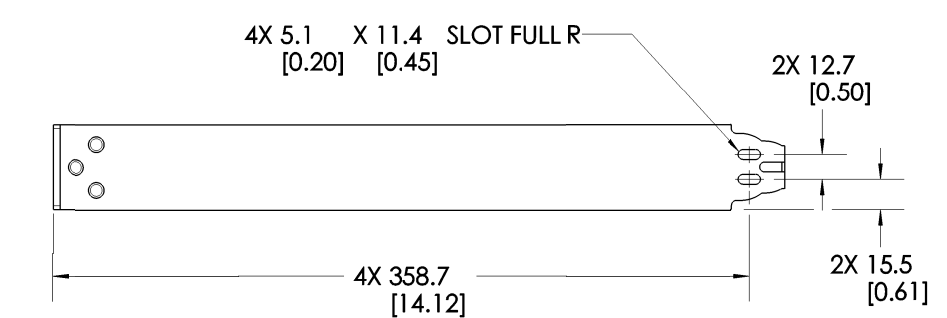
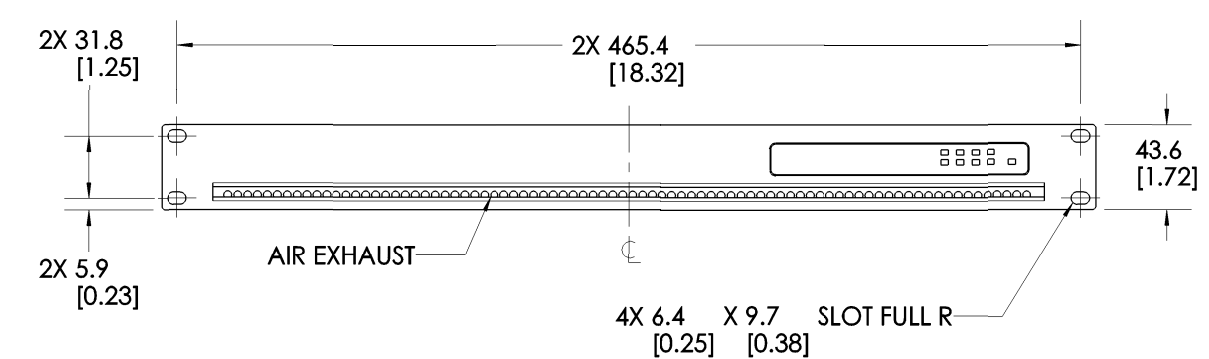
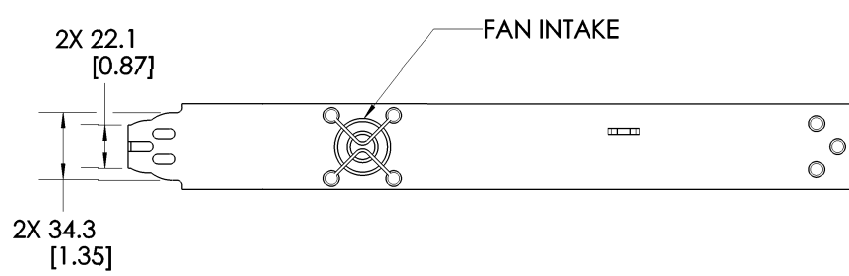
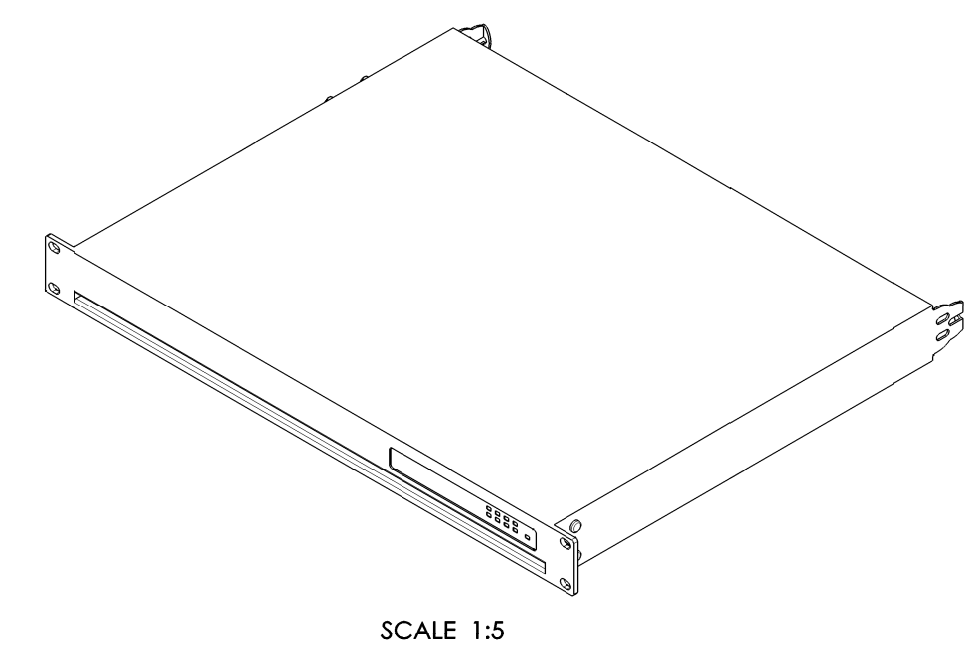
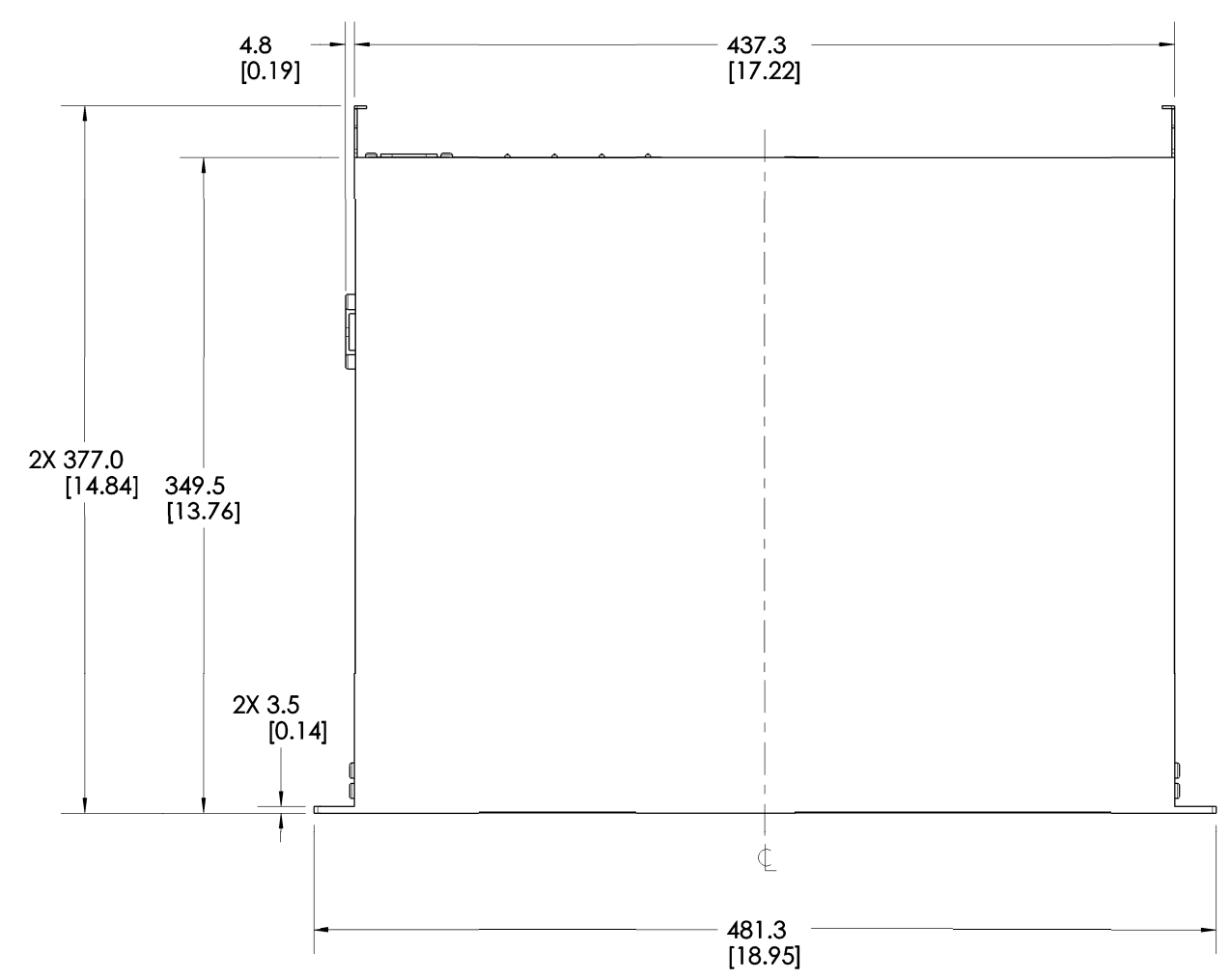


THIS DOCUMENT CONTAINS PROPRIETARY INFORMATION WHICH IS THE PROPERTY OF QSC, LLC. THAT MAY NOT BE DISCLOSED, REPRODUCED OR USED WITHOUT THE EXPRESS WRITTEN CONSENT FROM QSC, LLC.

REVISION		BY	DATE
REV	DESCRIPTION		
A	INITIAL RELEASE	ES	21-MAY-18



REAR VIEW

UNLESS OTHERWISE SPECIFIED DIMENSIONS ARE IN MM [IN]		CAD GENERATED DRAWING DO NOT MANUALLY UPDATE		QSC QSC, LLC 1675 MACARTHUR BOULEVARD COSTA MESA, CA 92626 USA	
TOLERANCES ARE:		APPROVALS		<b>FINISHED GOOD, AMPLIFIER, MP-A40V, 100-240V, 4-CH</b>	
DECIMALS	ANGLES	DRAWN BY C. SUVARNA			
X ± 3 [1.2]	± 1°	MECH ENGINEER D. TEULIE			
		TECH DIRECTOR R. BAKER			
MATERIAL	N/A	MFG ENG R. SANGAM		SIZE	CAGE CODE
FINISH	N/A	DO NOT SCALE DRAWING		B	00PW4
PROJECTION SYMBOL		DWG. NO.		FG-901139-2D	
		SCALE: 1:4		CAD FILE:	FG-901139-2D.A.1
		SHEET:		1 OF 1	

1. NET WEIGHT APPROX. 4.2 KG [9.3 LBS]

NOTES: UNLESS OTHERWISE SPECIFIED.